

EN Installation Instructions



1. Installation and commissioning may only be carried out by authorized specialists and wired in accordance with the latest IEE electrical regulations or the national standards.



2. Mains power must be switched off before carrying out installation.

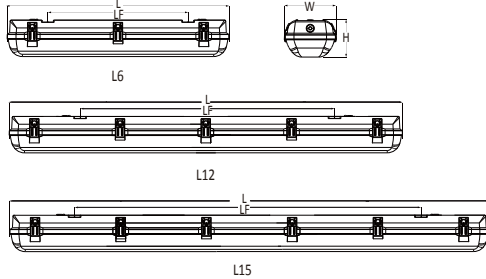


3. The manufacturer, shall not be liable for any damage resulting from inappropriate modifications to the luminaire or faulty installation.

4. This luminaire has no user replaceable components. The light source contained within this luminaire shall only be replaced by the manufacturer or an approved agent.

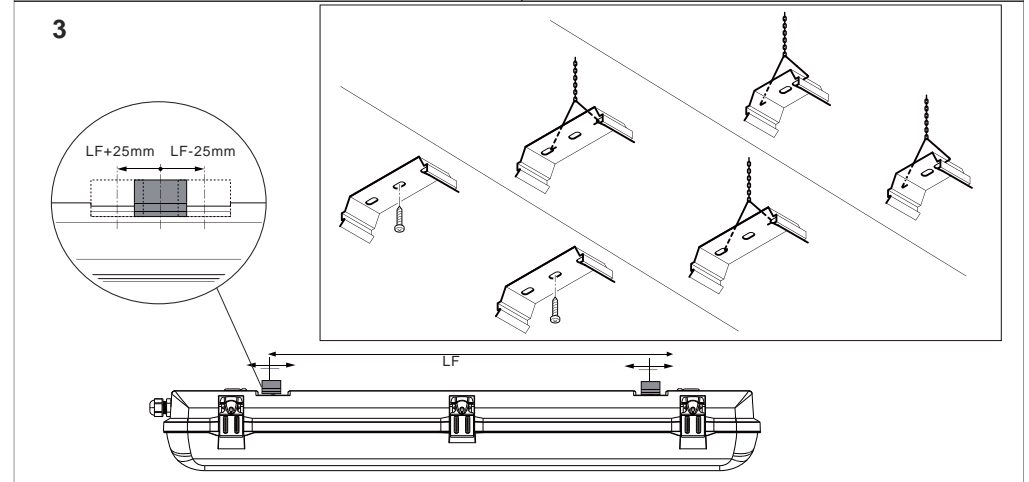
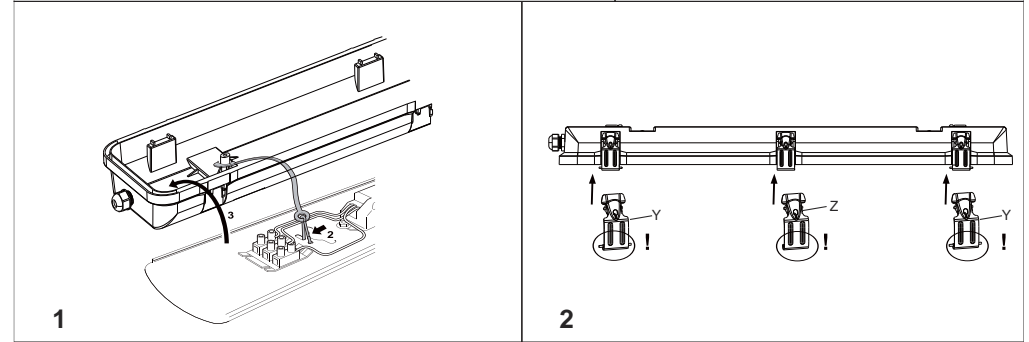
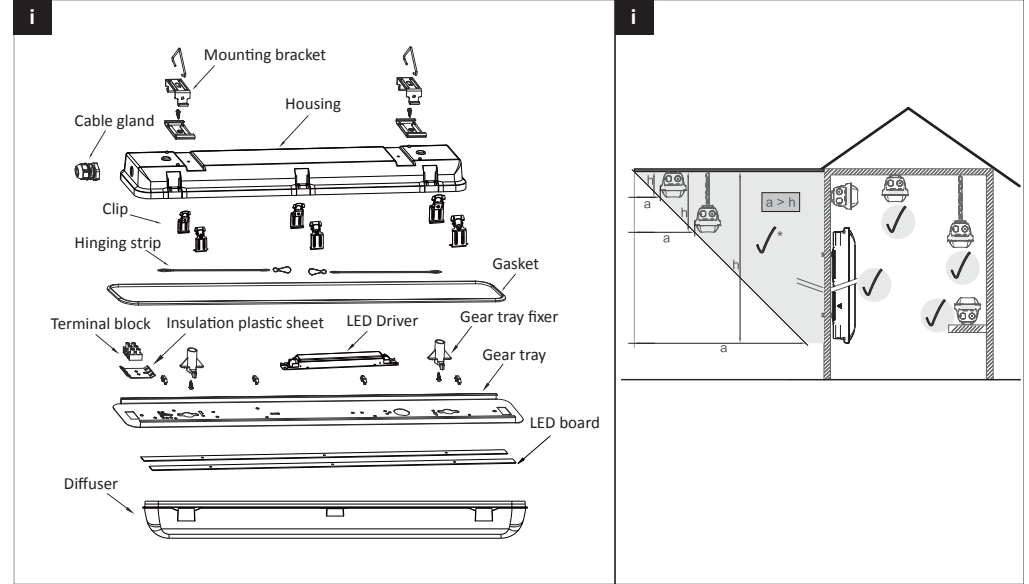
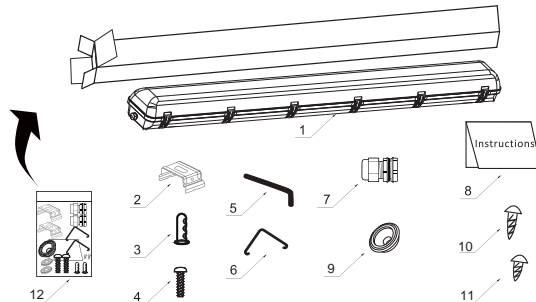
5. Caution, risk of electric shock.
The control gear provides basic insulation between the LV supply and the control circuit.

SAP Code	Product Description	EAN Code	Input	PF	Power	Operating temperature	L x W x H (mm)	LF (mm)
96650051	WF G2 LED2500 830-57 L6 HF	9300736855563	220-240V 50/60Hz	>0.9	25W	-20~40°C	660 x 150 x 110	410
96650052	WF G2 LED5500 830-57 L12 HF	9300736855570	220-240V 50/60Hz	>0.9	50W	-20~40°C	1270 x 150 x 110	880
96650053	WF G2 LED6500 830-57 L15 HF	9300736855587	220-240V 50/60Hz	>0.9	60W	-20~40°C	1570 x 150 x 110	1180
96650054	WF G2 LED2500 830-57 L6 HFI	9300736855594	220-240V 50/60Hz	>0.9	25W	-20~40°C	660 x 150 x 110	410
96650055	WF G2 LED5500 830-57 L12 HFI	9300736855600	220-240V 50/60Hz	>0.9	50W	-20~40°C	1270 x 150 x 110	880
96650056	WF G2 LED6500 830-57 L15 HFI	9300736855617	220-240V 50/60Hz	>0.9	60W	-20~40°C	1570 x 150 x 110	1180
96650057	WF G2 LED2500 830-57 L6 HFI E2	9300736855624	220-240V 50/60Hz	>0.9	26W	0~40°C	660 x 150 x 110	410
96650058	WF G2 LED5500 830-57 L12 HFI E2	9300736855631	220-240V 50/60Hz	>0.9	53W	0~40°C	1270 x 150 x 110	880
96650059	WF G2 LED6500 830-57 L15 HFI E2	9300736855648	220-240V 50/60Hz	>0.9	63W	0~40°C	1570 x 150 x 110	1180
96650060	WF G2 LED2500 830-57 L6 MWS-COR	9300736855655	220-240V 50/60Hz	>0.9	25W	-20~40°C	660 x 150 x 110	410
96650061	WF G2 LED5500 830-57 L12 MWS-COR	9300736855662	220-240V 50/60Hz	>0.9	50W	-20~40°C	1270 x 150 x 110	880
96650062	WF G2 LED6500 830-57 L15 MWS-COR	9300736855679	220-240V 50/60Hz	>0.9	60W	-20~40°C	1570 x 150 x 110	1180



SAP Code	Product Description	C10	C13	C16	C20	B10	B13	B16	B20	Inrush current
96650051	WF G2 LED2500 830-57 L6 HF	45	60	75	90	36	48	60	72	10A
96650052	WF G2 LED5500 830-57 L12 HF	20	30	40	50	16	24	32	40	13A
96650053	WF G2 LED6500 830-57 L15 HF	15	25	30	40	15	20	25	30	15A
96650054	WF G2 LED2500 830-57 L6 HFI	30	38	46	58	18	23	28	35	13.6A
96650055	WF G2 LED5500 830-57 L12 HFI	21	28	35	45	13	17	21	27	35A
96650056	WF G2 LED6500 830-57 L15 HFI	15	20	25	31	9	12	15	19	34A
96650057	WF G2 LED2500 830-57 L6 HFI E2	25	32	39	49	15	19	23	29	13.6A
96650058	WF G2 LED5500 830-57 L12 HFI E2	17	23	29	38	11	14	17	22	35A
96650059	WF G2 LED6500 830-57 L15 HFI E2	12	17	21	26	7	10	12	16	34A
96650060	WF G2 LED2500 830-57 L6 MWS-COR	10	21	26	25	10	13	16	21	25.8A
96650061	WF G2 LED5500 830-57 L12 MWS-COR	10	21	26	25	10	13	16	21	25.8A
96650062	WF G2 LED6500 830-57 L15 MWS-COR	10	21	26	25	10	13	16	21	25.8A

	L6	L12	L15
1 LED waterproof lighting	X1	X1	X1
2 SS hook	X4	X4	X4
3 Plastic expansion	X2	X2	X4
4 Round head self-drilling screw	X6	X6	X6
5 M3 screw handler	X1	X1	X1
6 Triangle hook	X2	X2	X3
7 M20 cable drill	X1	X1	X1
8 Instructions	X1	X1	X1
9 Grommet	X1	X1	X1
10 4 x 30mm stainless steel self-tapping screw	X2	X2	X4
11 4 x 12mm stainless steel self-tapping screw	X2	X2	X3
12 Accessory bag	X1	X1	X1



WEATHERFORCE G2

4

5

6

Two 4x10mm stainless steel self-tapping screws must be applied to prevent unauthorized opening of the luminaire.

WEATHERFORCE G2

Microwave Sensor Version

● 100% ○ 50%	● 5s ○ 30s ● 1min ○ 10min	● Disable ○ 50lux ● 10lux ○ 2lux	● 0s ○ 30s ● 20min ○ +∞	● 10% ○ 20% ● 30% ○ 50%
-----------------	------------------------------------	---	----------------------------------	----------------------------------

Detection area
In this area, movement will be detected and able to trigger the sensor. 100% detection area is also known as the strong sensitivity.

Hold-time
The period of light keeping 100% brightness after moving objects leave the detection area.

Daylight threshold
Definition of the ambient brightness; only when the ambient brightness is lower than the preset specific lux amount, the sensor will work; when it's preset as "disable", the sensor works everytime it detects motion regardless the ambient brightness.

Stand-by period
The period of light keeping low output before it's completely switched off. When it's preset as "∞", the light always keep at low output if no movement in the detection area and doesn't turn off.

Stand-by dimming level
The definition of low output in the standby period.

Application Function Demo - Dimmable control/Corridor function

With sufficient daylight, even when motion detected, light remains OFF.

With insufficient daylight, when motion detected, light ON.

After last detection, the light will be dimmed down to the stand-by dimming level (10%, 20%, 30% or 50%) after holdtime.

After the stand-by period, light OFF.

⚠ E2 Emergency Version (AS/NZS 2293)

LED <2h

LiFePO4 6.4V 1.5Ah

Recycling and safety icons: LED, <2h, Recycle, No fire, No open flame, No disposal, No incineration, No landfill, No open flame, No disposal, No incineration, No landfill.