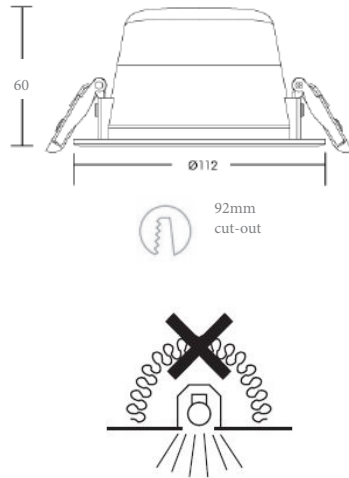


# THORN

## VALUE LED



IP44



### Keys Features

- Latest technology thermoplastic construction with a matt white finish
- UV stabilised acrylic diffuser
- Excellent thermal stability ensures longevity of LED chips
- High output, SMD LED chipset with CRI > 80
- Average lifespan of over 30,000 hours
- Built-in, LED dimmable driver
- Designed to replace inefficient fluorescent or halogen downlights

### General Information

- This product must only be installed by a licensed electrician
  - Ensure power supply is disconnected before maintenance or installation
  - To ensure fire safety and to prevent the risk of electric shock, these luminaires should not be modified in any way, used other than for intended purpose and should be installed in accordance with local regulations
  - If the external flexible cable or cord of this fitting is damaged it shall be exclusively replaced by Thorn Lighting or an approved service agent
  - This product contains non serviceable, LED componentry that requires specialized service practices. In the unlikely event of premature failure, please return this product to Thorn Lighting or an approved service agent
- 
- Under no circumstances should this luminaire be covered by thermal insulation matting or similar material

### Installation Instructions

- Cut a 92mm dia. hole in the ceiling
- Connect plug into a pre-installed socket or hard wire to the mains supply
- Lift and hold mounting springs either side of the fixture to fitting side, insert fixture through the cut out and release

