

Jupiter II

T16(FDH)	G5	14-54W
AS/NZS60598	Class I Electrical	
IP20		

Compact, stylish and efficient T5 lighting in a range of versions for contemporary interiors



Twin Satinbrite louvre, white



Single Mirrorbrite louvre, white



Twin Mirrorbrite louvre, silver/grey



Asymmetric louvre, white



Single opal diffuser, silver/grey



Single D/I version, silver/grey, with Uplight Controller



Twin D/I version, white with Uplight Controller

- Ultra slim minimalist, aluminium, 43mm deep body
- Single or twin T16 lamps in surface and suspended (direct/indirect) versions
- Wide range of louvre, asymmetric reflector and diffuser optics provides a flexible choice of lighting distributions
- The Mini Louvre System (MLS) is available in Mirrorbrite and Satinbrite aluminium versions offering excellent LOR performance and dimensional benefits
- Digital dimming versions
- Continuous line mounting options on all suspended versions (except 3 and 4 lamp versions). Junction components and dummy infill modules extend possible configurations. Intelligent lighting control SensaDigital infills are also available
- Close offset mounting available

Lamps

⇒ 14-54W T16 (FDH) linear fluorescent. Cap G5.

Materials/Finish

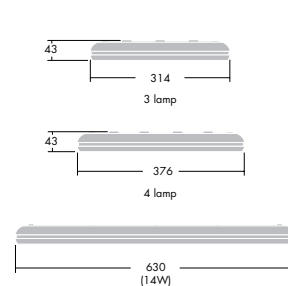
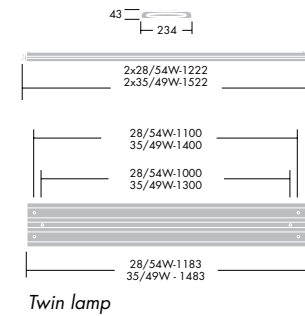
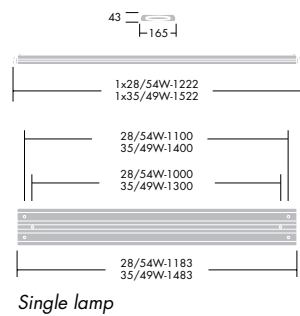
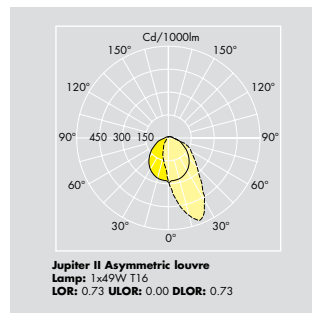
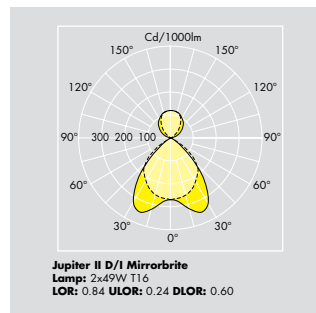
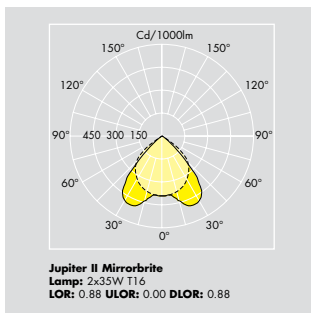
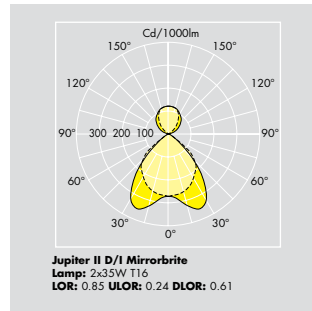
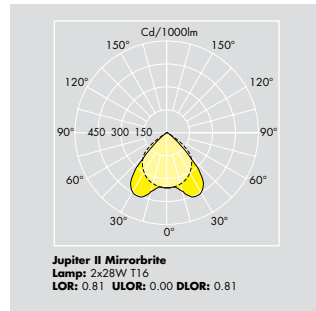
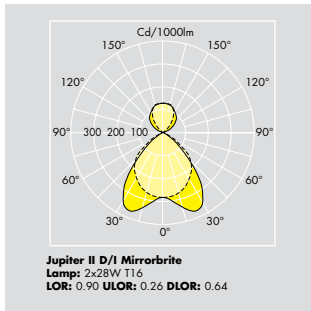
Body: aluminium, white (close to RAL 9010) or silver/grey (close to RAL 9006).
End caps: white or grey, polycarbonate plastic.
Louvre: high reflective Mirrorbrite or Satinbrite aluminium.
Diffuser: opal polycarbonate.

Standards

Designed and manufactured to comply with AS/NZS 60598.
⊕ Class I electrical.

Specification

To specify state:
Slim single/twin 43mm T16 surface/suspended luminaire available in white or silver/grey, with performance louvre, asymmetric reflector and diffuser optics, mounted individually and continuous lines, with HF or dimmable gear.
As Thorn Jupiter II.



Installation/Mounting

Surface versions

Bodies are supplied with a spacer.
Direct fixing of the product to the surface via keyhole slots for Ø6mm screws, and horseshoe sliding washers.
Electrical connection via 2x13.5mm holes.

Suspended versions

Luminaires are mounted by single wire suspension kit (supplied) Wire fixing centres are 28W = 1100mm
35/49 = 1400mm

Continuous line mounting

System versions are used for continuous line mounting. Use the corresponding connecting kit for mechanical connection.
System bodies, infill and junction modules are pre-wired for through wiring.



Ordering Guide

Individual luminaires

Ordering Guide Lamp(s) to be ordered separately. For complete luminaire, order body and attachment (see page 275).

Description	Ilcos Code	Socket	Weight (Kg)	SAP Code White	SAP Code Grey
Surface Bodies					
JUPITER 2 1X28W HF	FDH	G5	2.8	96232937	96233362
JUPITER 2 2X28W HF	FDH	G5	3.7	96232938	96233363
JUPITER 2 1X35W HF	FDH	G5	3.3	96232939	96233364
JUPITER 2 2X35W HF	FDH	G5	4.5	96232940	96233365
JUPITER 2 1X49W HF	FDH	G5	3.3	96232946	96233367
JUPITER 2 2X49W HF	FDH	G5	4.5	96232947	96233370
JUPITER 2 3X14W HF	FDH	G5	2.4	96232950	96233379
JUPITER 2 4X14W HF	FDH	G5	3	96232951	96233381
Surface Digital Dimmable Bodies					
JUPITER 2 1X28W HFD	FDH	G5	2.9	96232952	96233383
JUPITER 2 2X28W HFD	FDH	G5	3.8	96232953	96233384
JUPITER 2 1X35W HFD	FDH	G5	3.4	96232958	96233385
JUPITER 2 2X35W HFD	FDH	G5	4.6	96232959	96233386
JUPITER 2 1X49W HFD	FDH	G5	3.4	96232960	96233387
JUPITER 2 2X49W HFD	FDH	G5	4.6	96232961	96233388
Suspended D/I Bodies					
JUPITER 2 DI 1X28W HF	FDH	G5	2.7	96232966	96233446
JUPITER 2 DI 2X28W HF	FDH	G5	3.7	96232967	96233447
JUPITER 2 DI 1X35W HF	FDH	G5	3.3	96232941	96233448
JUPITER 2 DI 2X35W HF	FDH	G5	4.3	96232942	96233449
JUPITER 2 DI 1X49W HF	FDH	G5	3.3	96232968	96233450
JUPITER 2 DI 2X49W HF	FDH	G5	4.3	96232969	96233451
Suspended D/I Digital Dimmable Bodies					
JUPITER 2 DI 1X28W HFD	FDH	G5	2.8	96232972	96233454
JUPITER 2 DI 2X28W HFD	FDH	G5	3.8	96232973	96233455
JUPITER 2 DI 1X35W HFD	FDH	G5	3.4	96232975	96233459
JUPITER 2 DI 2X35W HFD	FDH	G5	4.4	96232974	96233462
JUPITER 2 DI 1X49W HFD	FDH	G5	3.4	96232976	96233465
JUPITER 2 DI 2X49W HFD	FDH	G5	4.4	96232977	96233469
Asymmetric Reflector Complete Luminaires					
JUPITER 2 1X54W HF RAS	FDH	G5	3	96233025	
JUPITER 2 1X49W HF RAS	FDH	G5	3.6	96233026	
JUPITER 2 1X54W HFD RAS	FDH	G5	3.1	96233028	
JUPITER 2 1X49W HFD RAS	FDH	G5	3.7	96233029	

HF - High frequency, PC OP - Polycarbonate opal, HFD - High frequency DSI dimmable, RAS - Asymmetric louvre, DI - Direct/Indirect, DMB - Mirrorbrite louvre, DSB - Satinbrite louvre.

System luminaires

Ordering Guide Lamp(s) to be ordered separately. For complete luminaire, order body and attachment (see page 275).

End caps, suspension kits, and connect kits to be ordered separately (see page 275).

Description	Ilcos Code	Socket	Weight (Kg)	SAP Code White	SAP Code Grey
Surface Bodies					
JUPITER 2S 1X28W HF	FDH	G5	3.7	96233977	96234176
JUPITER 2S 2X28W HF	FDH	G5	4.6	96233978	96234175
JUPITER 2S 1X35W HF	FDH	G5	4.2	96233979	96234174
JUPITER 2S 2X35W HF	FDH	G5	5.3	96233980	96234173
JUPITER 2S 1X49W HF	FDH	G5	4.2	96233981	96234172
JUPITER 2S 2X49W HF	FDH	G5	5.3	96233982	96234171
Surface Digital Dimmable bodies					
JUPITER 2S 1X28W HFD	FDH	G5	3.8	96233985	96234168
JUPITER 2S 2X28W HFD	FDH	G5	4.6	96233986	96234167
JUPITER 2S 1X35W HFD	FDH	G5	4.3	96233987	96234166
JUPITER 2S 2X35W HFD	FDH	G5	5.4	96233988	96234165
JUPITER 2S 1X49W HFD	FDH	G5	4.3	96233989	96234164
JUPITER 2S 2X49W HFD	FDH	G5	5.4	96233990	96234163
Suspended D/I Bodies					
JUPITER 2S DI 1X28W HF	FDH	G5	3.6	96234025	96234128
JUPITER 2S DI 2X28W HF	FDH	G5	4.4	96234026	96234127
JUPITER 2S DI 1X35W HF	FDH	G5	4.1	96234027	96234126
JUPITER 2S DI 2X35W HF	FDH	G5	5.2	96234028	96234125
JUPITER 2S DI 1X49W HF	FDH	G5	4.1	96234029	96234124
JUPITER 2S DI 2X49W HF	FDH	G5	5.2	96234030	96234123
Suspended D/I Digital Dimmable bodies					
JUPITER 2S DI 1X28W HFD	FDH	G5	3.7	96234038	96234117
JUPITER 2S DI 2X28W HFD	FDH	G5	4.5	96234041	96234116
JUPITER 2S DI 1X35W HFD	FDH	G5	4.2	96234045	96234114
JUPITER 2S DI 2X35W HFD	FDH	G5	5.3	96234048	96234113
JUPITER 2S DI 1X49W HFD	FDH	G5	4.2	96234051	96234111
JUPITER 2S DI 2X49W HFD	FDH	G5	5.3	96234054	96234110



Attachments and accessories Ordering Guide

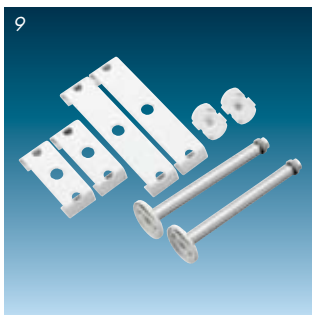
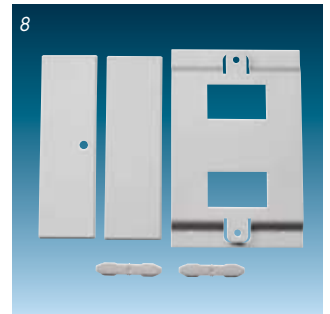
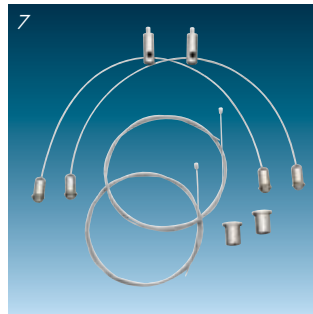
Description		SAP Code White	SAP Code Grey	Picture
Infill Panels				
JUPITER 2 INFILL 300MM X 165MM	SINGLE	96233031	96233422	1
JUPITER 2 INFILL 300MM X 233MM	TWIN	96233032	96233423	1
JUPITER 2 INFILL 450MM X 165MM	SINGLE	96233033	96233424	
JUPITER 2 INFILL 450MM X 233MM	TWIN	96233034	96233425	
JUPITER 2 INFILL 600MM X 165MM	SINGLE	96233035	96233426	
JUPITER 2 INFILL 600MM X 233MM	TWIN	96233036	96233427	
JUPITER 2 INFILL 900MM X 165MM	SINGLE	96233037	96233428	
JUPITER 2 INFILL 900MM X 233MM	TWIN	96233038	96233429	
JUPITER 2 INFILL 1200MM X 165MM	SINGLE	96233039	96233430	
JUPITER 2 INFILL 1200MM X 233MM	TWIN	96233040	96233431	
Sensa Infill				
JUPITER 2 SENSA INFILL 300MM X 165MM	SINGLE	96233401	96233432	2
JUPITER 2 SENSA INFILL 300MM X 233MM	TWIN	96233403	96233433	2
End Caps				
JUPITER 2 165MM ENDCAP	SINGLE	96233041	96233414	3
JUPITER 2 233MM ENDCAP	TWIN	96233042	96233415	3
Junctions				
JUPITER 2 90 DEGREE CORNER 165MM	SINGLE	96233043	96233416	4
JUPITER 2 90 DEGREE CORNER 233MM	TWIN	96233044	96233417	4
JUPITER 2 T SHAPE 165MM	SINGLE	96233404	96233418	5
JUPITER 2 T SHAPE 233MM	TWIN	96233406	96233419	5
JUPITER 2 CROSS SHAPE 165MM	SINGLE	96233407	96233420	6
JUPITER 2 CROSS SHAPE 233MM	TWIN	96233408	96233421	6
Suspensions and Connections				
JUPITER 2 MSW1 * (PAIR)	SINGLE WIRE	96233409	96233409	7
JUPITER 2 CONNECT KIT SINGLE LAMP	SINGLE	96233740	96233742	8
JUPITER 2 CONNECT KIT TWIN LAMP	TWIN	96233739	96233741	8
JUPITER 2 CLOSE OFFSET RODS		96233410	96233411	9
JUPITER 2 PENDANT RODS		96233412	96233413	
*MSW1 - suspension wire (used when joining suspended infill panels together)				
Uplight Controllers				
JUPITER 2 SINGLE LAMP 28/54 RPR KIT	SINGLE LAMP LUMINAIRE UPLIGHT CONTROLLER	96233744		
JUPITER 2 TWIN LAMP 28/54 RPR KIT	TWIN LAMP LUMINAIRE UPLIGHT CONTROLLER	96233743		
JUPITER 2 SINGLE LAMP 35/49 RPR KIT	SINGLE LAMP LUMINAIRE UPLIGHT CONTROLLER	96233746		
JUPITER 2 TWIN LAMP 35/49 RPR KIT	TWIN LAMP LUMINAIRE UPLIGHT CONTROLLER	96233745		
Sensa Accessories				
SENSA SENRC	SENSA DIGITAL HAND HELD CONTROLLER	96004175		10
SENSA SENP	SENSA DIGITAL PROGRAMMING TOOL	96004189		

Description	Weight (Kg)	SAP Code
Mirrorbrite Louvres		
JUPITER 2 1X28 DMB	0.2	96233016
JUPITER 2 2X28 DMB	0.4	96232943
JUPITER 2 1X35/49 DMB	0.3	96232944
JUPITER 2 2X35/49 DMB	0.5	96232945
JUPITER 2 3X14 DMB	0.3	96233371
JUPITER 2 4X14 DMB	0.4	96233372
Satinbrite Louvres		
JUPITER 2 1X28 DSB	0.2	96233017
JUPITER 2 2X28 DSB	0.4	96233018
JUPITER 2 1X35/49 DSB	0.3	96233019
JUPITER 2 2X35/49 DSB	0.5	96233020
JUPITER 2 3X14 DSB	0.3	96233374
JUPITER 2 4X14 DSB	0.4	96233375
Opal Diffuser		
JUPITER 2 1X28 PC OP	0.2	96233021
JUPITER 2 2X28 PC OP	0.4	96233022
JUPITER 2 1X35/49 PC OP	0.3	96233023
JUPITER 2 2X35/49 PC OP	0.5	96233024
JUPITER 2 3X14 PC OP	0.3	96233376
JUPITER 2 4X14 PC OP	0.4	96233378

DMB - Mirrorbrite, DSB - Satinbrite, PC OP - Polycarbonate opal



Jupiter II Accessories



1. 300mm infill
2. SensaDigital infill module
3. Single and twin end caps
4. 90° corner, white
5. T Junction, white
6. X Connector, white
7. Suspension kit
8. Connect kit
9. Parts for close offset
10. SensaDigital hand held controller

