

MenloSoft SR NEW

T16 (FDR)	G5	14-28W
AS/NZS60598	Class I Electrical	
IP20		

A recessed luminaire with a slim suspended optic which blends upward and downward light for a simple, attractive solution to perfectly balanced office lighting

- Provides perfectly balanced illumination of all room surfaces without supplementary lighting - 30% of horizontal working plane illuminance on ceiling and 50% on walls
- The sophisticated optical design provides efficient light output (>60%) with glare control within suitable limits for modern display screens
- Fully recessed body with slim profile optic, suspended 82mm below ceiling, minimises intrusion into the room space, making it suitable for low ceilings
- Versions available with central louvre or diffuser optics and microperforated side wings in MenloSoft family design, offering a choice of aesthetic appearance and performance options
- Available in 600 x 600mm and 300 x 1200mm versions with unique mini-wedge brackets included to allow installation in a wide range of ceiling types and room sizes
- Available with High Frequency or digital dimmable control gear for use with lighting controls systems for additional flexibility



Dual colour lamp option



Materials/Finish

Body and reflectors: White painted steel.
Suspended optic: micro-perforated white painted steel wings, aluminium reflectors and partially perforated white painted steel baffle.
Louvre: aluminium in Mirror Satinbrite finish.
Diffuser: polycarbonate in opal or prismatic finish.
End caps: white polycarbonate.

Installation/Mounting

Suitable for lay-in installation into 15mm or 24mm exposed tee. Unique "wedge" brackets (included) allow pull up installation into most exposed tee (max 70mm grid height), concealed fix and solid ceilings. MenloSoft SR is supplied as a complete luminaire and has been designed to be quick and easy to install. Simply install the body into the ceiling and electrically connect using the GST connector and a flex (to be ordered separately), before fitting the lamps and complete optic. The optic is hinged on one side with magnetic fixings to allow easy and fast installation and maintenance.

Specification

To specify state: Recessed mounted luminaire with stylish family aesthetic for 14-28W T16 (T5) linear fluorescent lamps, with 82mm suspended micro-perforated louvre/diffuser optic that delivers 50% of horizontal working plane illuminance on walls and 30% on ceilings. Fixed output or digital dimmable control gear.

As Thorn Menlosoft SR.

MenloSoft SR 600 x 600 version

Ordering Guide Supplied complete with lamps (840).
Flex & plug to be ordered separately (S4 with WL4 and S6 with WL6).

Description	Icos Code	Socket	Wt (kg)	SAP Code
Mirrorbrite louvre				
MENLOSFT SR 3X24W HF DMB WL4 LI840	FDH	G5	8.4	96232664
MENLOSFT SR 3X24W HFD DMB WL6 LI840	FDH	G5	8.4	96232665
MENLOSFT SR 4X14W HF DMB WL4 LI840	FDH	G5	8.4	96232676
MENLOSFT SR 4X14W HFD DMB WL6 LI840	FDH	G5	8.4	96232677
Satinbrite louvre				
MENLOSFT SR 3X24W HF DSB WL4 LI840	FDH	G5	8.4	96232667
MENLOSFT SR 3X24W HFD DSB WL6 LI840	FDH	G5	8.4	96232668
MENLOSFT SR 4X14W HF DSB WL4 LI840	FDH	G5	8.4	96232679
MENLOSFT SR 4X14W HFD DSB WL6 LI840	FDH	G5	8.4	96232680
Opal diffuser				
MENLOSFT SR 3X24W HF OP WL4 LI840	FDH	G5	8.5	96232670
MENLOSFT SR 3X24W HFD OP WL6 LI840	FDH	G5	8.5	96232671
MENLOSFT SR 4X14W HF OP WL4 LI840	FDH	G5	8.5	96232682
MENLOSFT SR 4X14W HFD OP WL6 LI840	FDH	G5	8.5	96232683
Prismtech diffuser				
MENLOSFT SR 3X24W HF PR WL4 LI840	FDH	G5	8.5	96232673
MENLOSFT SR 3X24W HFD PR WL6 LI840	FDH	G5	8.5	96232674
MENLOSFT SR 4X14W HF PR WL4 LI840	FDH	G5	8.5	96232685

MenloSoft SR 300 x 1200 version

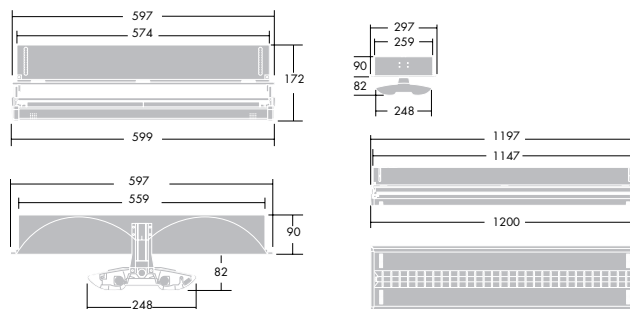
Ordering Guide Supplied complete with lamps.

Description	Icos Code	Socket	Wt (kg)	SAP Code
Mirrorbrite louvre				
MENLOSFT SR 3X28W HF DMB WL4 LI840	FDH	G5	10.1	96232688
MENLOSFT SR 3X28W HFD DMB WL6 LI840	FDH	G5	10.1	96232689
Satinbrite louvre				
MENLOSFT SR 3X28W HF DSB WL4 LI840	FDH	G5	10.1	96232691
MENLOSFT SR 3X28W HFD DSB WL6 LI840	FDH	G5	10.1	96232692
Opal diffuser				
MENLOSFT SR 3X28W HF OP WL4 LI840	FDH	G5	10.2	96232694
MENLOSFT SR 3X28W HFD OP WL6 LI840	FDH	G5	10.2	96232695
Prismtech diffuser				
MENLOSFT SR 3X28W HF PR WL4 LI840	FDH	G5	10.2	96232697
MENLOSFT SR 3X28W HFD PR WL6 LI840	FDH	G5	10.2	96232698

HF - High Frequency, HFD - High Frequency Digital Dimmable WL - Wieland GST type connector.

Flex & Plug

Description	SAP Code
CONNECT S4 - FLEX & SOCKET ASSY T/S AUST	96050374
CONNECT S6 - FLEX & SOCKET ASSY T/S AUST	96050375



Cut out:
576 x 576
1176 x 276