

Piazza II NEW

TC-DEL (FSQ)	G24q-2	18W
HIT-CE (MT)	E27	70W
HSE-I (SE/I)	E27	70W
AS/NZS 60598		
Class I Electrical		
IP65		

Robust, IP65 luminaires designed to provide security, surround or accent illumination with a touch of style

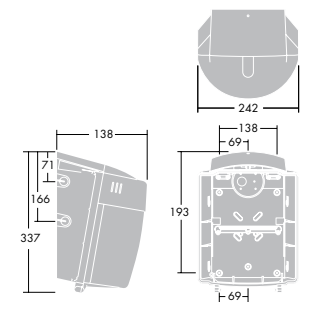
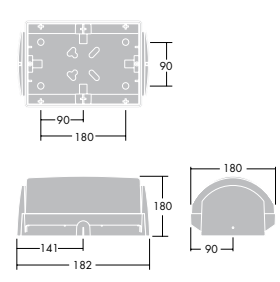
- Excellent light distribution and uniformity (up to 11m spacing)
- Large and small body sizes to suit application needs
- Large (prismatic) diffuser combined with textured anthracite body for improved aesthetics. Corner or pole mounting possible with attachments
- Small opal version can be installed horizontally or vertically
- Compact designed body made of tough polycarbonate provides strength and rigidity
- External SwitchLite presence detectors available as accessories (detection range 12m, IP64, black, with 1m lead, configurable 15-500 lux, 10secs - 30 mins, rotating head)



Large version



Small version



Materials/Finish

Body: polycarbonate, anthracite finish

Diffuser: polycarbonate.

Eyelid: polycarbonate, anthracite finish.

Pole/wall mounting brackets: galvanised steel, polyester powder coated.

Installation/Mounting

Wall mountable. 20mm cable entry via rear grommeted hole or top and side conduit entries. Internal or external corner installation possible with wall bracket accessory. Pole mounting brackets allow 1 to 4 large luminaires on one pole between 60mm and 76mm diameter. Recommended mounting height: Large 3-6m; Small 1-3m.

Specification

To specify state: Enclosed IP65 vandal resistant wall/pole mounting luminaire for 70W HSE-I high pressure sodium, 70W HIT-CE metal halide and 18W TC-DEL, compact fluorescent lamps.

With polycarbonate body, small: smooth opal, large: prismatic clear diffuser.

As Thorn Piazza II.



Ordering Guide

Supplied complete with lamp.

Description	Ilcos Code	Socket	Wt (kg)	SAP Code
Small, opal				
PIAZZA II S 2X18W TC-DEL HF OP	FSQ	G24Q-2	1.30	96233276
Large, prismatic				
PIAZZA II L 70W 240V HSE-I PR RAL	SE/I	E27	3.50	96233234
PIAZZA II L 70W 240V HIT-CE E27 PR RAL	MT	E27	3.60	96233235
Attachments for large body				
PIAZZA II L BRACKET INT MWA MA76	LARGE INTERNAL CORNER WALL/POLE MOUNTING BRACKET		0.30	96233246
PIAZZA II L BRACKET EXT MWA	LARGE EXTERNAL CORNER WALL/POLE MOUNTING BRACKET		0.35	96233286
PIAZZA II L MA76 2XTORQUE CLIP	LARGE POLE MOUNTING BRACKET 2X TORQUE CLIP		0.28	96233730
PIAZZA II L BRACKET X4 MWA MA76	LARGE POLE MOUNTING BRACKET (HOLDS 1-4 LARGE LUMINAIRES)		0.31	96233731
General accessories				
SWITCHLITE MWA SLD IP64 BLK	PRESENCE DETECTOR AND PHOTOCCELL COMBO BLACK		0.21	96233649

OP - Opal, PR - Prismatic

