

96642822 FLEX 24L50-740 WSC-A CL2 W5M D76 GY

IP66	IK09			T _a -20 +25
------	------	---	---	---------------------------

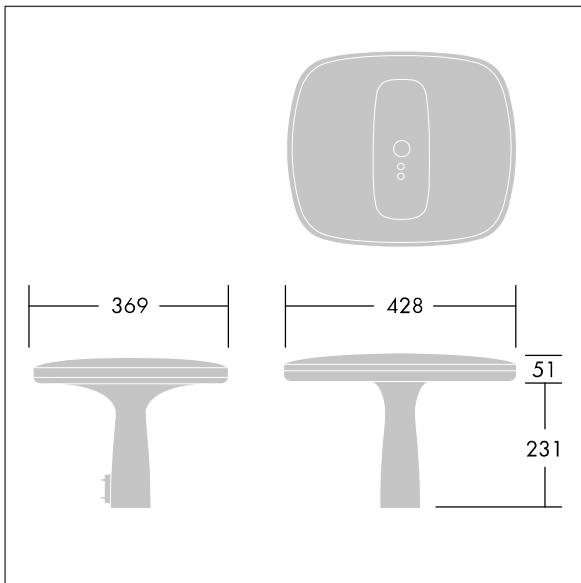
FleXity

A modern, discreet and versatile post top LED lantern with a asymmetrical distribution. Electronic, fixed output control gear driving 24 LEDs at 500mA. Compatible with DALI, 1-10V, RF, Power Line, Minicell, Nema, Presence Detection. Class II electrical, IP66, IK09. Canopy and base: die-cast aluminium (EN AC-46100) powder coated grey (close to RAL9006). Enclosure: clear polycarbonate. Complete with 4000K LED. Post top mounting to Ø76mm column, maximum spigot length 75mm. Pre-wired with 5m cable.

Dimensions: 370 x 430 x 290 mm
 Total power: 40 W
 Luminaire luminous flux: 3800 lm
 Luminaire efficacy: 95 lm/W
 Weight: 4.7 kg
 Scx: 0.038 m²



TLG_FLEX_F_CLEAR76PDB.jpg



TLG_FLEX_M_LD1.wmf

All values marked with an * are rated values. Thorn uses tried and tested components from leading suppliers, however there may be isolated instances of technology-related failures of individual LEDs during the rated product lifetime. International standards set the tolerance in initial flux and connected load at ±10%. Colour temperature is subject to a tolerance of up to +/-150 Kelvin from the nominal value. Unless stated otherwise, the values apply to an ambient temperature of 25°C.

In most products the failure of one LED point causes no functional impairment to the lighting performance of the luminaire and is therefore no reason for complaint. Unless otherwise stated all Thorn LED products are suitable for unrestricted use (rated RG0 or RG1) with regard photobiological blue light safety (IEC/EN60598-1).

Thorn Lighting is constantly developing and improving its products. The right is reserved to change specifications without prior notification or public announcement.
 © Thorn Lighting