

Areaflood Pro

96644942 AFP M 72L35-740 A/S6 BPS CL1

THORN



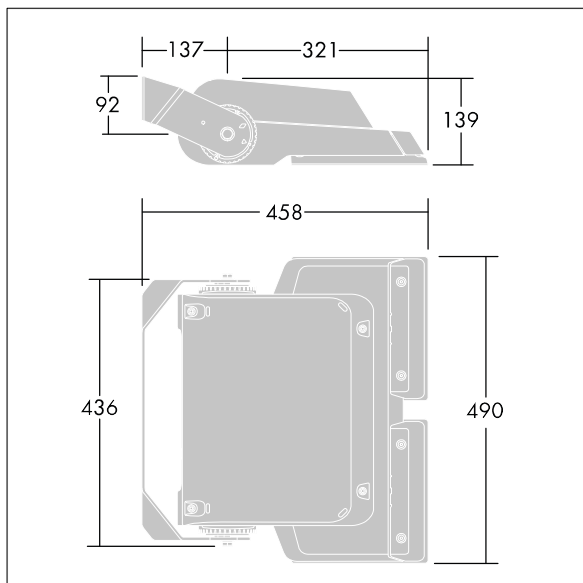
Areaflood Pro

A compact, lightweight, general purpose LED area floodlight. With medium body. driving 72 LEDs at 350mA with asymmetrical 60° light distribution. IP66, IK08, Class I electrical. Body: die-cast aluminium (EN AC-46000), painted grey (RAL9006). Enclosure: 4mm thick toughened glass. Reversible mounting stirrup supplied, optional spigot adaptors available separately for post top mounting. Complete with 4000K LED.

Dimensions: 458 x 490 x 139 mm
Total power: 76 W
Luminaire luminous flux: 10502 lm
Luminaire efficacy: 138 lm/W
Weight: 13.81 kg
Scx: 0.064 m²



TLG_AFLP_F_MEDIUMPDB.jpg



TLG_AFLP_M_MED.wmf

All values marked with an * are rated values. Thorn uses tried and tested components from leading suppliers, however there may be isolated instances of technology-related failures of individual LEDs during the rated product lifetime. International standards set the tolerance in initial flux and connected load at $\pm 10\%$. Colour temperature is subject to a tolerance of up to ± 150 Kelvin from the nominal value. Unless stated otherwise, the values apply to an ambient temperature of 25°C.

In most products the failure of one LED point causes no functional impairment to the lighting performance of the luminaire and is therefore no reason for complaint. Unless otherwise stated all Thorn LED products are suitable for unrestricted use (rated RG0 or RG1) with regard photobiological blue light safety (IEC/EN60598-1).

Thorn Lighting is constantly developing and improving its products. The right is reserved to change specifications without prior notification or public announcement.
© Thorn Lighting

Areaflood Pro

96644942 AFP M 72L35-740 A/S6 BPS CL1

THORN