

Urba Deco

THORN

96272927 UD 24L50-730 SC-S CL CL2 6M MTP60-T

IP66	IK10		T _a 25	
------	------	---	-------------------	--

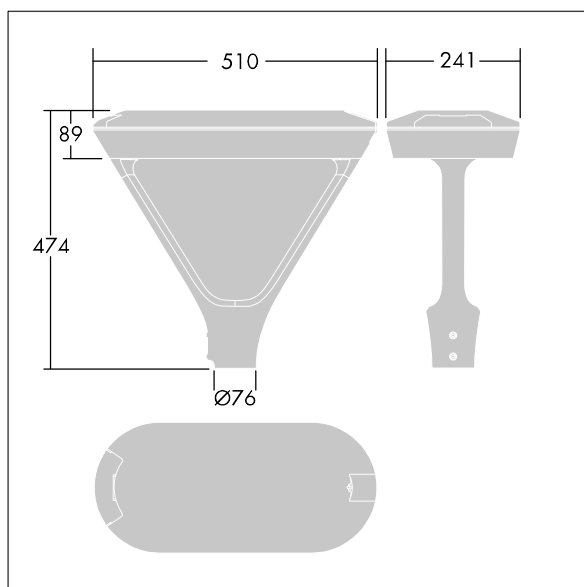
Urba Deco

A smart, sophisticated architectural urban lantern with 24 LEDs driven at 500mA and a Street & Comfort optic. Electronic, fixed output control gear. Class II electrical, IP66, IK10. Canopy and base: die-cast aluminium (AS9U3, LM24 equivalent, EN AC-46000) textured black (close to RAL9005). Enclosure: 6mm thick clear glass. Arms: die-cast aluminium textured black (close to RAL9005) covered with a shield in plastic ASA. Pre-wired with 6m cable. Post top mounting to Ø60mm column, luminaire perpendicular to the road. Equipped with power reduction circuit, effective 3 hours before and 5 hours after a calculated midnight. It can be deactivated at installation with an easily accessible internal switch. DALI controllable with additional signal cables. Complete with 3000K LED.

Dimensions: 510 x 241 x 474 mm
Total power: 38 W
Luminaire luminous flux: 3998 lm
Luminaire efficacy: 105 lm/W
Weight: 7.5 kg
Scx: 0.049 m²



TLG_URBD_F_MTPPDB.jpg



TLG_URBD_M_MTP.wmf

All values marked with an * are rated values. Thorn uses tried and tested components from leading suppliers, however there may be isolated instances of technology-related failures of individual LEDs during the rated product lifetime. International standards set the tolerance in initial flux and connected load at ±10%. Colour temperature is subject to a tolerance of up to +/-150 Kelvin from the nominal value. Unless stated otherwise, the values apply to an ambient temperature of 25°C.

In most products the failure of one LED point causes no functional impairment to the lighting performance of the luminaire and is therefore no reason for complaint. Unless otherwise stated all Thorn LED products are suitable for unrestricted use (rated RG0 or RG1) with regard photobiological blue light safety (IEC/EN60598-1).

Thorn Lighting is constantly developing and improving its products. The right is reserved to change specifications without prior notification or public announcement.
© Thorn Lighting

Urba Deco

96272927 UD 24L50-730 SC-S CL CL2 6M MTP60-T

THORN