

# EyeKon LED

THORN

96665875 EYE CR LED950-840 MWS S ANT

EN 55015	IP65	IK10			850°C	T <sub>a</sub> 35	
-------------	------	------	-----------------------------------------------------------------------------------	-----------------------------------------------------------------------------------	-------	-------------------	--

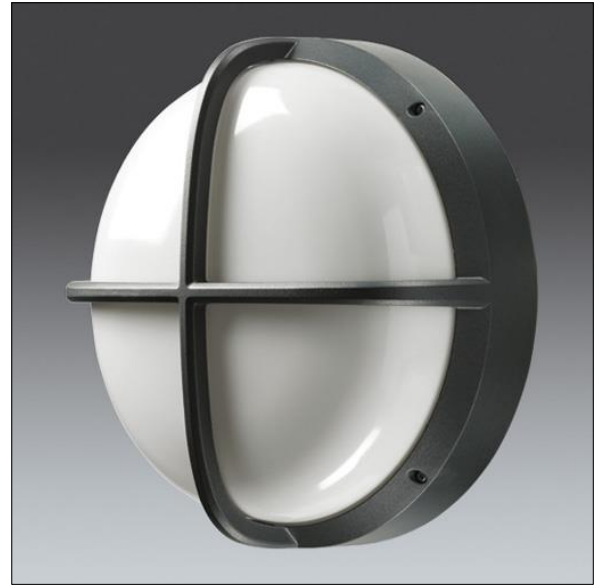
## EyeKon LED

Round, impact resistant LED bulkhead luminaire.  
Electronic, fixed output control gear. Class I electrical, IP65, IK10. Body: small size, die-cast aluminium (LM6), powder coated anthracite. Diffuser: opal polycarbonate with die-cast aluminium cross feature. Electrical connection via 3 x 2 x 2.5mm<sup>2</sup> terminal block. With integral motion sensor for on/off control. Complete with 4000K LED

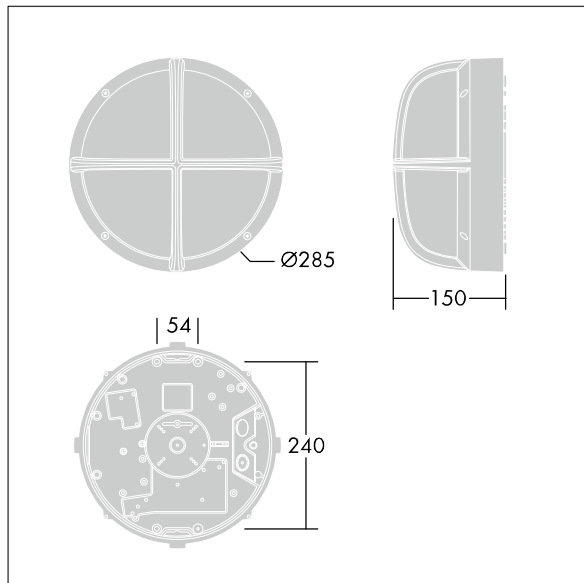
Dimensions: Ø285 x 150 mm

Total power: 11 W

Weight: 2.6 kg



TLG\_EYKN\_F\_SMCRSANTHOP.jpg



TLG\_EYKN\_M\_SML.wmf

All values marked with an \* are rated values. Thorn uses tried and tested components from leading suppliers, however there may be isolated instances of technology-related failures of individual LEDs during the rated product lifetime. International standards set the tolerance in initial flux and connected load at ±10%. Colour temperature is subject to a tolerance of up to +/-150 Kelvin from the nominal value. Unless stated otherwise, the values apply to an ambient temperature of 25°C.

In most products the failure of one LED point causes no functional impairment to the lighting performance of the luminaire and is therefore no reason for complaint. Unless otherwise stated all Thorn LED products are suitable for unrestricted use (rated RG0 or RG1) with regard photobiological blue light safety (IEC/EN60598-1).

Thorn Lighting is constantly developing and improving its products. The right is reserved to change specifications without prior notification or public announcement.  
© Thorn Lighting

**EyeKon LED**

**96665875 EYE CR LED950-840 MWS S ANT**

**THORN**