

Glacier II LED

THORN

96629703 GLAC2 S LED2 1000-840 HFIX EC GY GL OP

IP20



T_a25

Glacier II LED

A modern and efficient LED pendant luminaire. DALI dimmable control gear suitable for central battery emergency installations. Housing: die-cast aluminium with satin grey finish. Reflector: opal glass with easy bayonet mount connection to housing. Class I electrical, IP20. Suspended via adjustable quick-lock 2.5m single wire suspension (supplied). Pre-wired with braided, flame retardant silicon cable, 0.75mm². Complete with 4000K LED

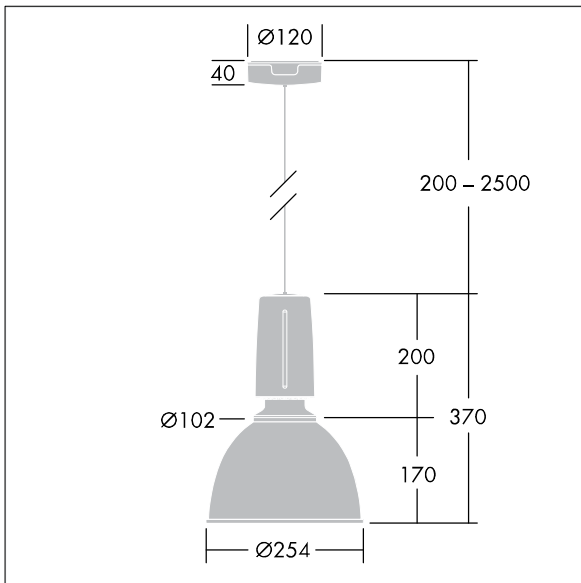
Dimensions: Ø250/100 x 370 mm

Total power: 8.5 W

Weight: 2.5 kg



TLG_GLCL_F_S_GYGLOP.jpg



TLG_GLCR_M_2SML.wmf

All values marked with an * are rated values. Thorn uses tried and tested components from leading suppliers, however there may be isolated instances of technology-related failures of individual LEDs during the rated product lifetime. International standards set the tolerance in initial flux and connected load at $\pm 10\%$. Colour temperature is subject to a tolerance of up to ± 150 Kelvin from the nominal value. Unless stated otherwise, the values apply to an ambient temperature of 25°C.

In most products the failure of one LED point causes no functional impairment to the lighting performance of the luminaire and is therefore no reason for complaint. Unless otherwise stated all Thorn LED products are suitable for unrestricted use (rated RG0 or RG1) with regard photobiological blue light safety (IEC/EN60598-1).

Thorn Lighting is constantly developing and improving its products. The right is reserved to change specifications without prior notification or public announcement.
© Thorn Lighting

Glacier II LED

96629703 GLAC2 S LED2 1000-840 HFIX EC GY GL OP

THORN