

A general purpose LED floodlight with Electronic, fixed output control gear. IP65 Class I electrical. Body: die-cast aluminium painted grey. Reflector: anodised aluminium. Lens: toughened stippled glass. Stirrup: Mild steel painted grey. Complete with 4000K LED

Dimensions: 250 x 93 x 390 mm

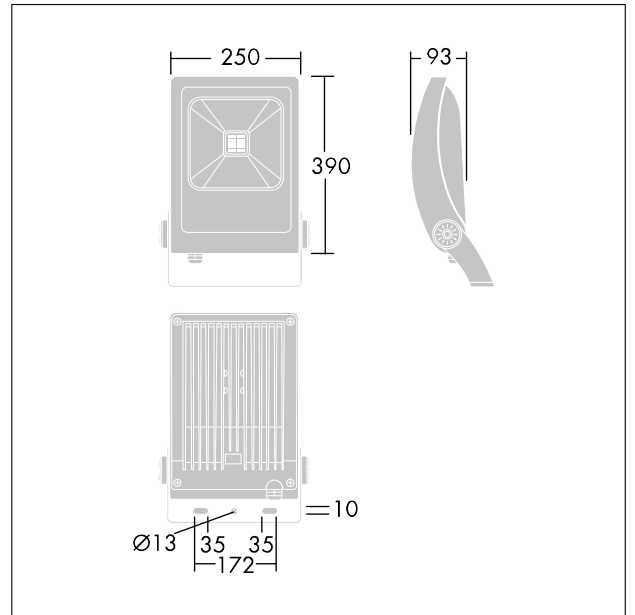
Total power: 54.1 W

Weight: 4.2 kg

Windage: 0.01 m²



TLA_YARD_F_ARC.jpg



TLA_YARD_M_LD50.wmf

Light Distribution

(keine)

All values marked with an * are rated values. Thorn uses tried and tested components from leading suppliers, however there may be isolated instances of technology-related failures of individual LEDs during the rated product lifetime. International standards set the tolerance in initial flux and connected load at $\pm 10\%$. Colour temperature is subject to a tolerance of up to ± 150 Kelvin from the nominal value. Unless stated otherwise, the values apply to an ambient temperature of 25°C . In most products the failure of one LED point causes no functional impairment to the lighting performance of the luminaire and is therefore no reason for complaint. Unless otherwise stated all Thorn LED products are suitable for unrestricted use (rated RG0 or RG1) with regard photobiological blue light safety (IEC/EN60598-1).