

ACUTO LED

EN Installation instructions



1. Installation and commissioning may only be carried out by authorised specialists and wired in accordance with the latest IEE electrical regulations or the national standards.
2. Mains power must be switched off before carrying out installation.
3. The manufacturer, shall not be liable for any damage resulting from inappropriate modifications to the luminaire or faulty installation.



4. Caution, risk of electric shock.
The control gear provides basic insulation between the LV supply and the control circuit.
5. The light source contained in this luminaire shall only be replaced by the manufacturer or their service agent or a similar qualified person.
6. If the external flexible cord of this luminaire is damaged, it shall be exclusively replaced by the manufacturer or their service agent or a similar qualified person in order to avoid a hazard.

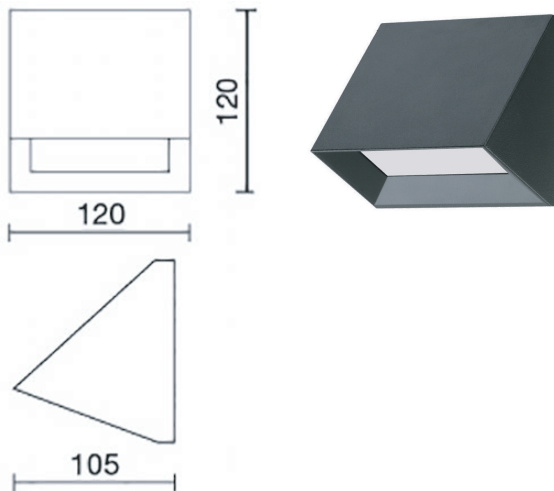


You can help protect the environment!

Please remember to respect the local regulations: hand in non-working electrical equipment to an appropriate waste disposal centre. The packaging material is recyclable. Dispose of the packaging in an environmentally friendly manner and make it available for the recyclable material collection service.

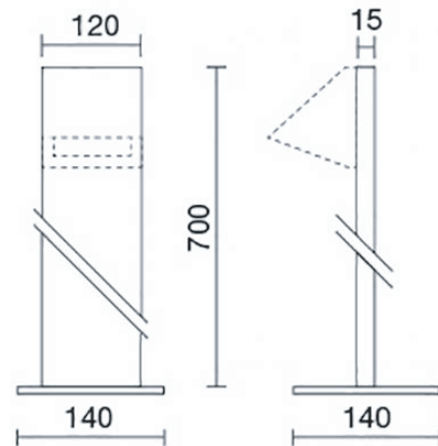
| SAP Code | EAN | Description | CCT | Wattage | Lumens | Finish | PF | Ta |
|----------|---------------|------------------------|-------|---------|--------|--------|------|---------------|
| 96652312 | 9300736561563 | ACUTO LED600-830 HF BK | 3000K | 8.2W | 576lm | Black | 0.60 | -20°C to 35°C |
| 96652313 | 9300736561570 | ACUTO LED600-840 HF BK | 4000K | 8.2W | 578lm | Black | 0.60 | |
| 96652314 | 9300736561587 | ACUTO BOL MPL BK | - | - | - | Black | - | |
| 96652315 | 9300736561594 | ACUTO BOL MGR BK | - | - | - | Black | - | |

ACUTO LED

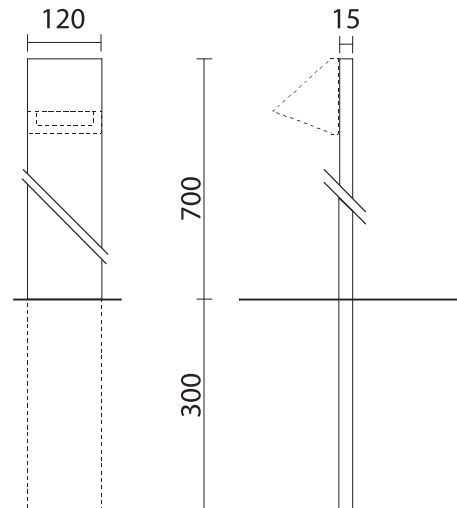


ACUTO BOL

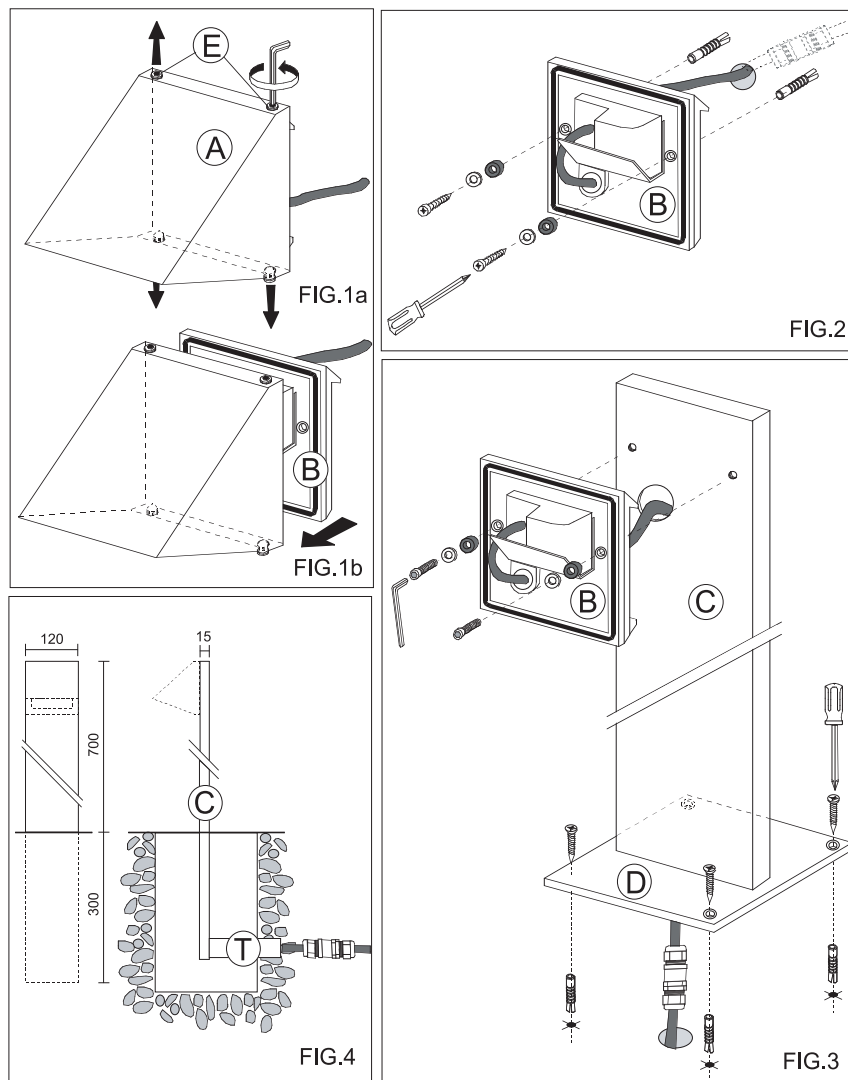
MPL



MGR



ACUTO LED



INSTALLATION OF FIXTURE

ACUTO LED Wall

- Remove cover A from plate B by loosening the 4 grub screws, without removing them E. FIG.1a
- Connect the power cable of the fitting to the electrical network, externally to the plate B. FIG.2
- Fix plate B to the wall with screws and, if necessary, suitable anchors (not supplied). FIG.2
- Fix cover A back to the wall plate B by strongly tightening the 4 grub screws to ensure the IP rating is maintained. FIG.1a

ACUTO LED Bollard Post

- Remove cover A from plate B by loosening the 4 grub screws, without removing them E. FIG.1a
- Insert the cable of the fitting into the post C and connect it to the electrical network. FIG.3
- Fix cover A back to the wall plate B by strongly tightening the 4 grub screws to ensure the IP rating is maintained. FIG.1a/1b

Fixing the post with base

- Fix the plate D of the post to the floor with suitable screws and anchors. FIG.3

Fixing the post for burried installation

- Before burying and/or cementing the post, pay attention to create a layer of gravel for drainage, enough to guarantee possible water flow (about 30cm) FIG.4
- Insert the corrugated tube T into the appropriate pit of the post. FIG. 4