


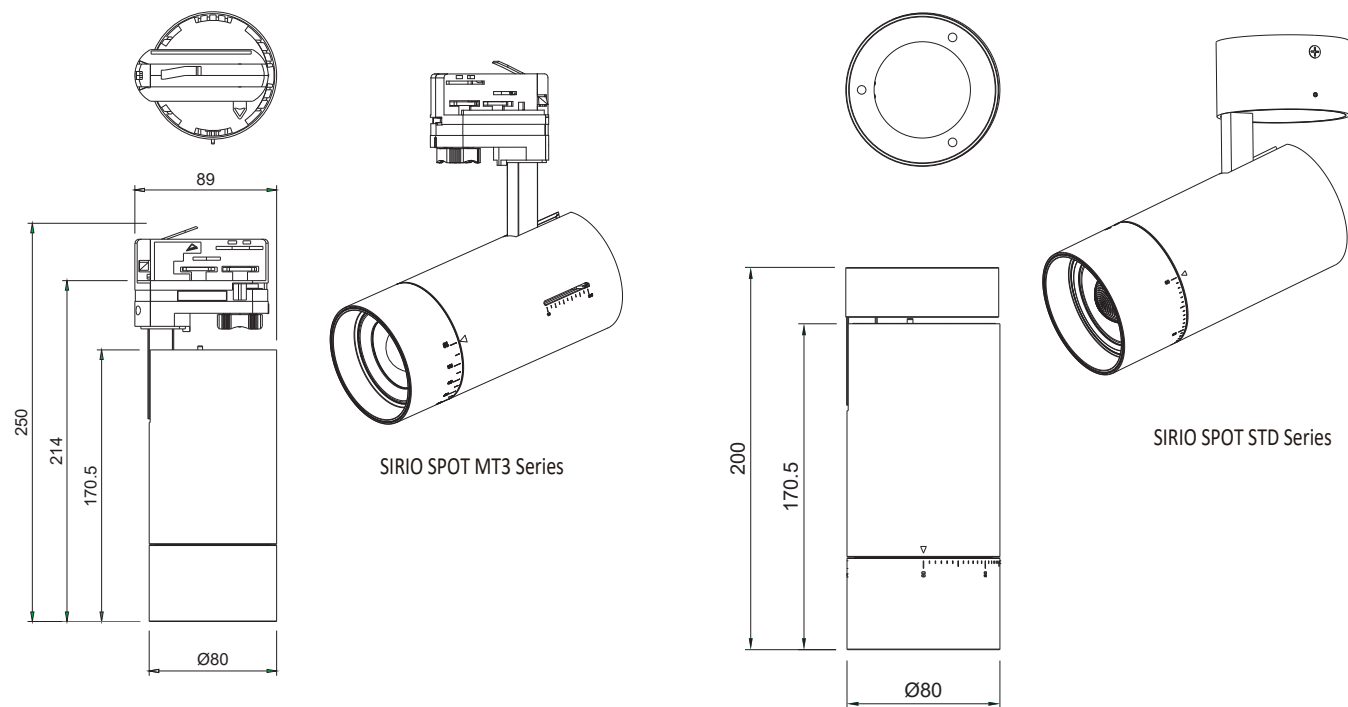


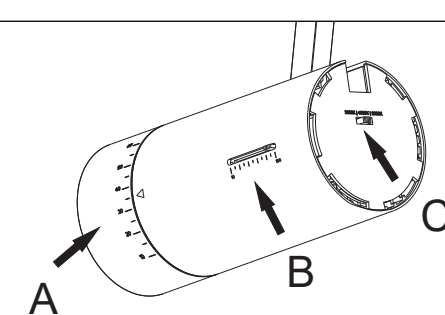
EN Installation Instructions

-  1. Installation and commissioning may only be carried out by authorized specialists and wired in accordance with the latest electrical regulations or the national standards.
-  2. Mains power must be switched off before carrying out installation.
-  3. The manufacturer, shall not be liable for any damage resulting from inappropriate modifications to the luminaire or faulty installation.
- 4. The light source contained within this luminaire shall only be replaced by the manufacturer or an approved agent.
- 5. Caution, risk of electric shock.
The control gear provides basic insulation between the LV supply and the control circuit.

SAP Code	Product Description	EAN Code	Input	PF	Power	Operating temperature	L x W x H (mm)
96651966	SIRIO SPOT LED2000-930-55 MT3 DIM ZM WH	9300736555944	220-240V 50/60Hz	>0.9	25W	-20~40°C	189 x 80 x 233
96651967	SIRIO SPOT LED2000-930-55 MT3 DIM ZM BK	9300736555951	220-240V 50/60Hz	>0.9	25W	-20~40°C	189 x 80 x 233
96651968	SIRIO SPOT LED2000-930-55 STD DIM ZM WH	9300736555968	220-240V 50/60Hz	>0.9	25W	-20~40°C	189 x 80 x 233
96651969	SIRIO SPOT LED2000-930-55 STD DIM ZM BK	9300736555975	220-240V 50/60Hz	>0.9	25W	-20~40°C	189 x 80 x 233



SIRIO SPOT LED MT3 series

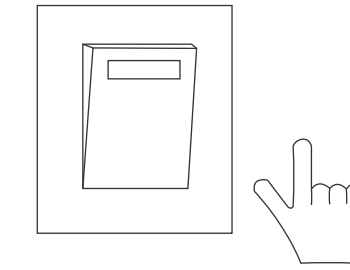


A: Adjust the beam angle via rotating the front ring.

B: Adjust the brightness via sliding the control button.

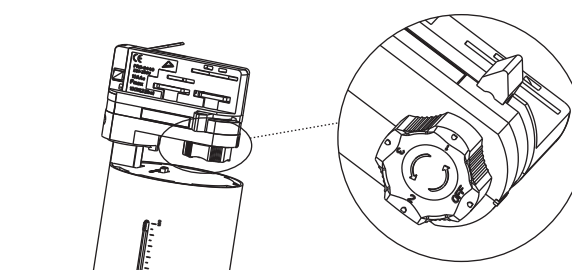
C: Select the color temperature via rear dip switch

1



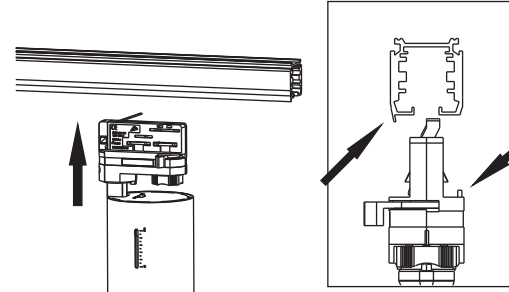
Turn off the power

2



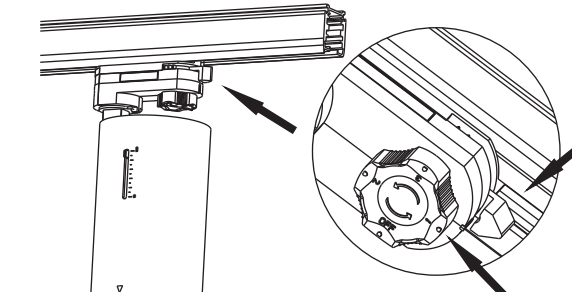
Turn the power adaptor to OFF

3



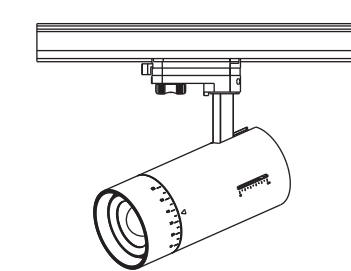
Push the luminaire into the track

4



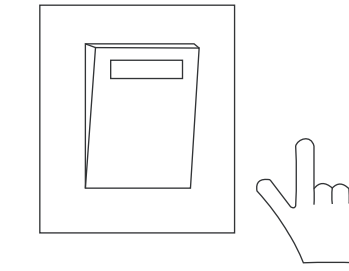
Turn the mechanism 90 degrees to lock the luminaire on the track

5



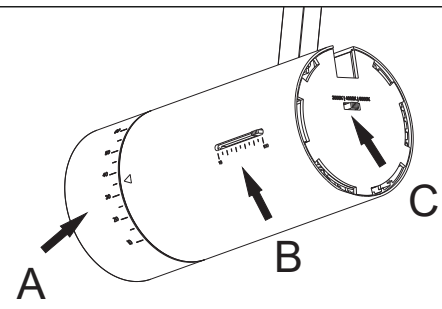
Adjust the illumination angle of the luminaire

6



Turn on the power

SIRIO SPOT LED STD Series

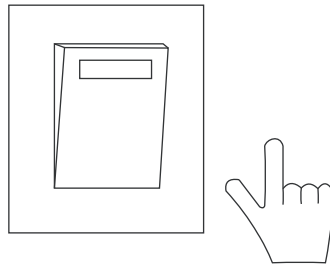


A: Adjust the beam angle via rotating the front ring.

B: Adjust the brightness via sliding the control button.

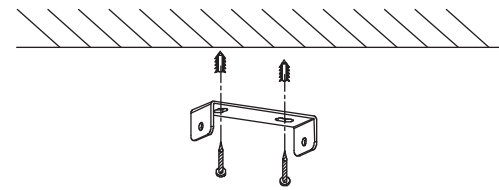
C: Select the color temperature via rear dip switch.

1



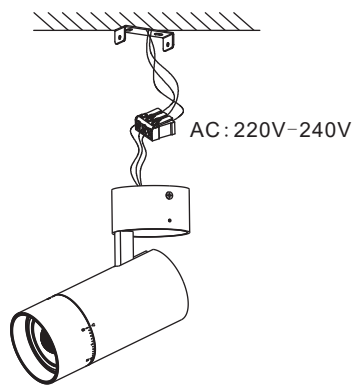
Turn off the power

2



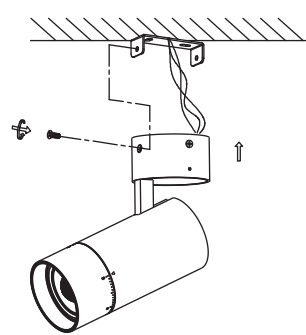
Install the mounting plate on the ceiling

3



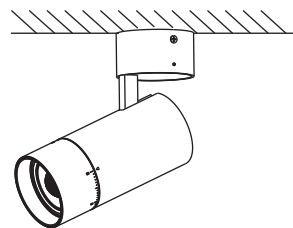
Connect AC cable on the terminal block, Positioned marked with N, L and E

4



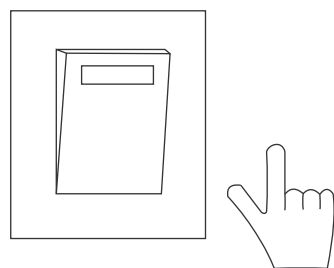
Install the luminaire to the mounting plate by screws

5



Adjust the illumination angle of the luminaire

6



Turn on the power

BLANK SECTION