

EN	Installation Instructions	HR	Uputstvo za montažu	SE	Installationsanvisning
DE	Montageanleitung	NL	Montagehandleiding	RU	Инструкция по монтажу
CZ	Montážní návod	RO	Instructiuni de montaj	SRB	Instrukcija za instalaciju
DK	Monteringsvejledning	IT	Istuzioni di montaggio	SK	Montážny návod
EE	Paigaldusjuhend	LT	Montavimo Instrukcijos	SLO	Navodilo za montažo
FI	Asennusohje	LV	Instalācijas instrukcija	CN	安装说明书
FR	Notice de montage	NO	Monteringsanvisning	PL	Instrukcja montażu



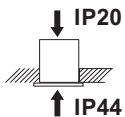
1. Installation and commissioning may only be carried out by authorised specialists and wired in accordance with the latest IEE electrical regulations or the national standards.

2. Mains power must be switched off before carrying out installation.



3. The manufacturer, shall not be liable for any damage resulting from inappropriate modifications to the luminaire or faulty installation.

4. Indoor use only.



5. The luminaire is protection type IP44, only when being installed in an enclosed ceiling!

Protection type IP44 does not apply in the ceiling void itself.

6. Caution, risk of electric shock. The control gear provides basic insulation between the LV supply and the control circuit.

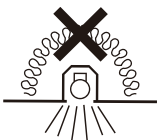
7. Luminaires not suitable for covering with thermally insulating material



You can help protect the environment!

Please remember to respect the local regulations: hand in non-working electrical equipment to an appropriate waste disposal centre. The packaging material is recyclable. Dispose of the packaging in an environmentally friendly manner and make it available for the recyclable material collection service.

**WARNING - The luminaire cannot be covered with thermal insulation matting or similar materials.**

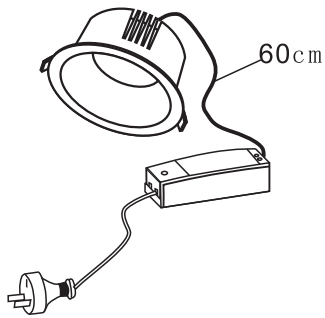
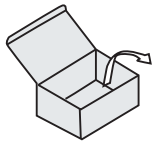


**WARNING - This luminaire is not suitable for installation in locations where thermal insulation is present. Or may reasonably be expected to be installed in the future, or where there is a likelihood of other combustible material, e.g. leaves or vermin debris, etc. collecting on or around the luminaire. It is not suitable for domestic installations or installation in residential areas of non-domestic installations (residential institutions, hotels, boarding houses, hospitals, accommodation houses, motels, hostels and the like).**

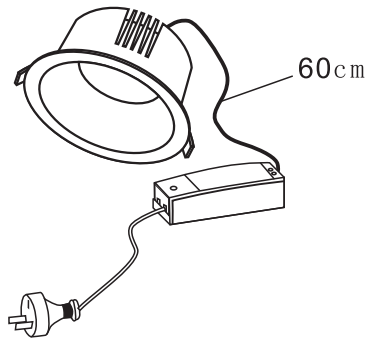
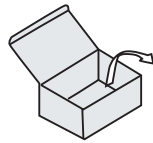


**WARNING - Risk of overheating or fire if the clearance distances are compromised.**

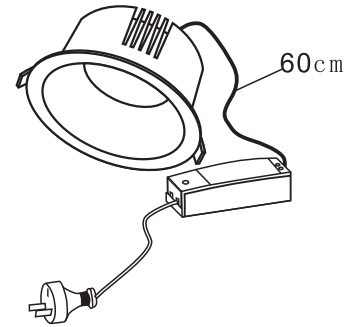
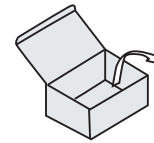
Product Description	SAP Code	CUTOUT	CCT	Product dimension	CRI	Ta	Voltage
BASE PRO 100 LED 1000-930 HFI WH FP	96650611	100mm	3000K	Ø116*H60	90	-20-40°C	220V - 240V
BASE PRO 100 LED 1000-940 HFI WH FP	96650612	100mm	4000K				
BASE PRO 100 LED 1500-930 HFI WH FP	96650613	100mm	3000K				
BASE PRO 100 LED 1500-940 HFI WH FP	96650614	100mm	4000K				
BASE PRO 150 LED 2000-930 HFI WH FP	96650615	150mm	3000K	Ø165*H80			
BASE PRO 150 LED 2000-940 HFI WH FP	96650616	150mm	4000K				
BASE PRO 150 LED 2500-930 HFI WH FP	96650617	150mm	3000K				
BASE PRO 150 LED 2500-940 HFI WH FP	96650618	150mm	4000K				
BASE PRO 200 LED 2000-930 HFI WH FP	96650619	200mm	3000K	Ø220*H100			
BASE PRO 200 LED 2000-940 HFI WH FP	96650620	200mm	4000K				
BASE PRO 200 LED 3000-930 HFI WH FP	96650621	200mm	3000K				
BASE PRO 200 LED 3000-940 HFI WH FP	96650622	200mm	4000K				



TYPE: 100 Diameter

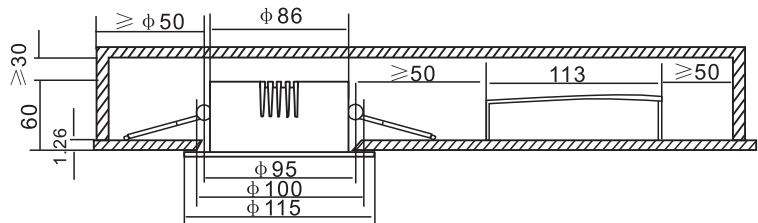
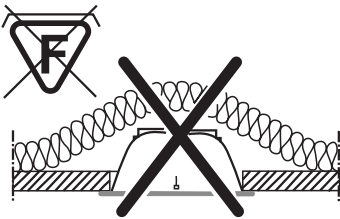


TYPE: 150 Diameter

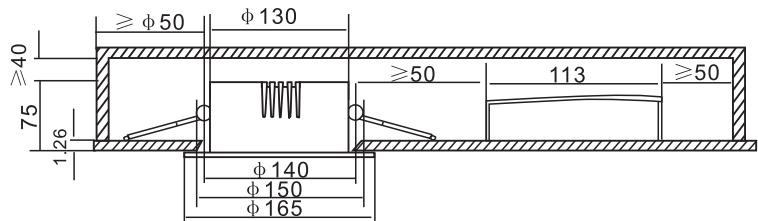
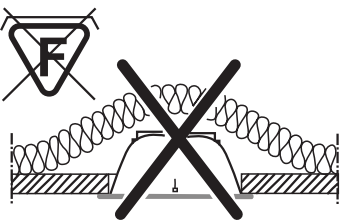


TYPE: 200 Diameter

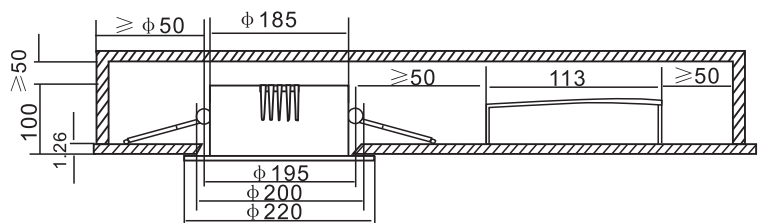
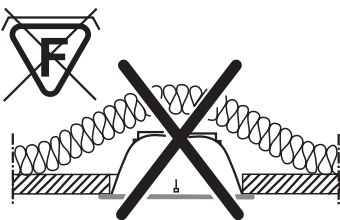
## 100 Diameter

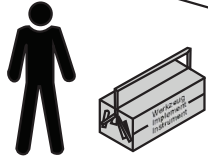


## 150 Diameter



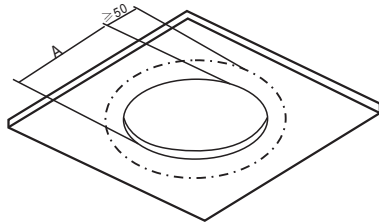
## 200 Diameter



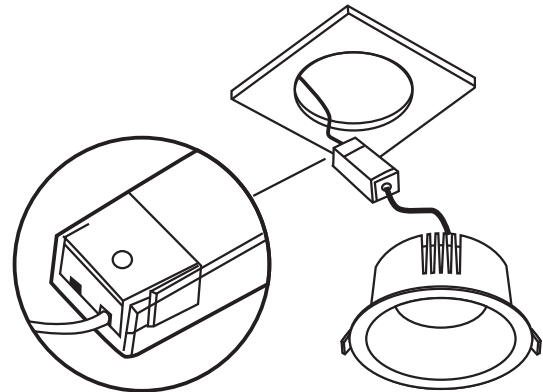


Installation and commissioning may only be carried out by authorised electrician. The lamp is used exclusively for lighting and is to be installed in accordance with the national installation regulations. Any other use or installation is regarded as "not according to instructions".

1



2



TYPE

Cut out A

100 diameter version

$\varnothing 100 \pm 5\text{mm}$

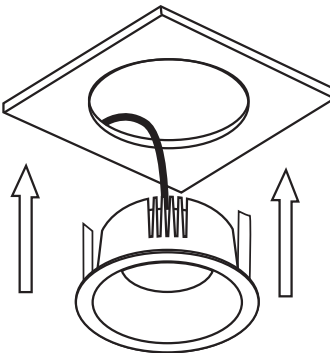
150 diameter version

$\varnothing 150 \pm 5\text{mm}$

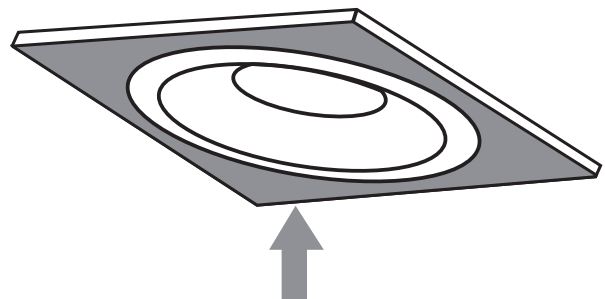
200 diameter version

$\varnothing 200 \pm 5\text{mm}$

3



4



i

**DO NOT MEGGER TEST**



Fittings must be unplugged prior to megger test