

EN	Installation Instructions	HR	Uputstvo za montažu	SE	Installationsanvisning
DE	Montageanleitung	NL	Montagehandleiding	RU	Инструкция по монтажу
CZ	Montážní návod	RO	Instructiuni de montaj	SRB	Instrukcija za instalaciju
DK	Monteringsvejledning	IT	Istuzioni di montaggio	SK	Montážny návod
EE	Paigaldusjuhend	LT	Montavimo Instrukcijos	SLO	Navodilo za montažo
FI	Asennusohje	LV	Instalācijas instrukcija	CN	安装说明书
FR	Notice de montage	NO	Monteringsanvisning		
HU	Szerelési útmutató	PL	Instrukcja montażu		



1. Installation and commissioning may only be carried out by authorised specialists and wired in accordance with the latest IEE electrical regulations or the national standards.
2. Mains power must be switched off before carrying out installation.
3. The manufacturer, shall not be liable for any damage resulting from inappropriate modifications to the luminaire or faulty installation.



4. Indoor use only.
5. Caution, risk of electric shock. The control gear provides basic insulation between the LV supply and the control circuit.
6. Luminaires not suitable for covering with thermally insulating material.



You can help protect the environment!

Please remember to respect the local regulations: hand in non-working electrical equipment to an appropriate waste disposal centre. The packaging material is recyclable. Dispose of the packaging in an environmentally friendly manner and make it available for the recyclable material collection service.



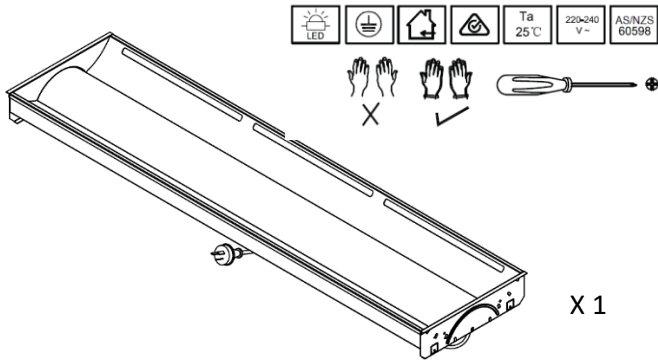
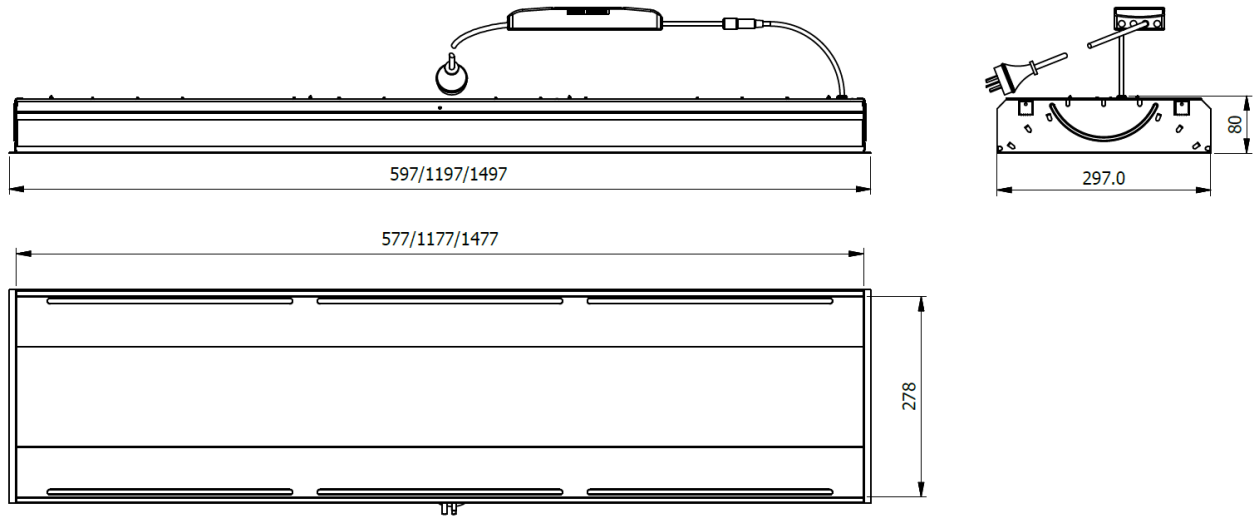
**WARNING - The luminaire cannot be covered with thermal insulation matting or similar materials.**

**WARNING - This luminaire is not suitable for installation in locations where thermal insulation is present. Or may reasonably be expected to be installed in the future, or where there is a likelihood of other combustible material, e.g. leaves or vermin debris, etc. collecting on or around the luminaire. It is not suitable for domestic installations or installation in residential areas of non-domestic installations (residential institutions, hotels, boarding houses, hospitals, accommodation houses, motels, hostels and the like).**

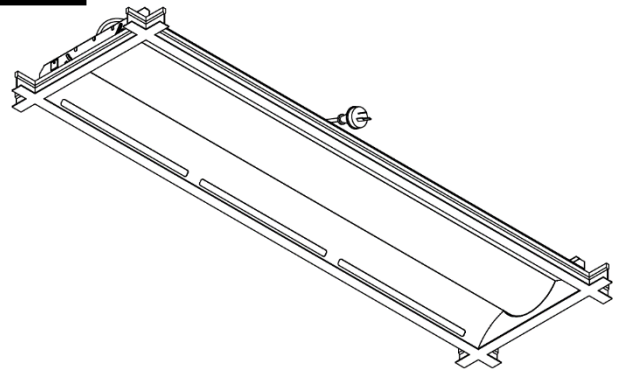


**WARNING - Risk of overheating or fire if the clearance distances are compromised.**

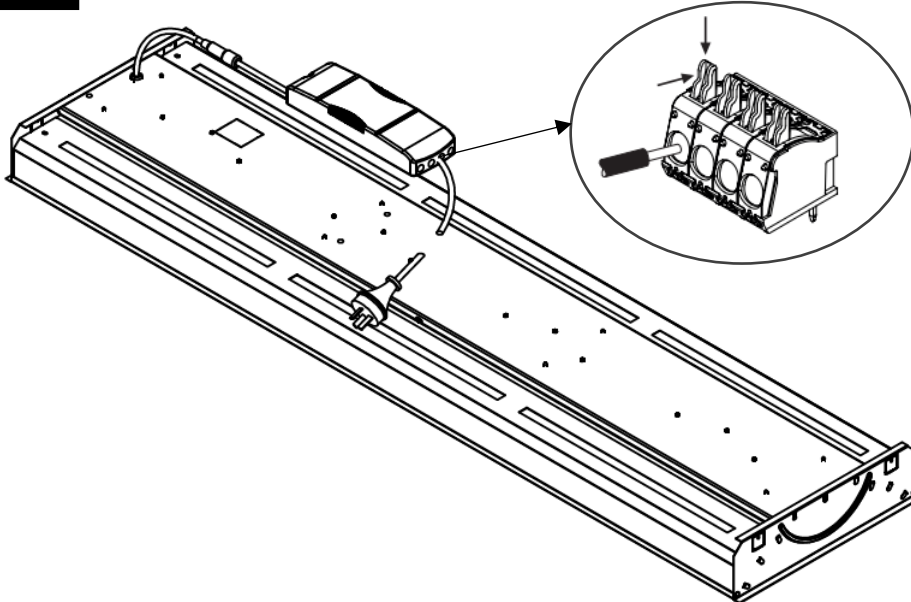
Product Description	SAP Code	CCT	Product dimension	CRI	Ta	Voltage(AC)
SU PRO LED1500-940 6X3 AH HFI RFD FP	96651264	4000K	597x297x80mm	90	-20 - 40°C	220-240V
SU PRO LED1500-940 6X3 HFI RFD FP	96651262	4000K	597x297x80mm	90	-20 - 40°C	220-240V
SU PRO LED3000-940 12X3 AH HFI RFD FP	96651274	4000K	1197x297x80mm	90	-20 - 40°C	220-240V
SU PRO LED3000-940 12X3 HFI RFD FP	96651266	4000K	1197x297x80mm	90	-20 - 40°C	220-240V
SU PRO LED4000-940 12X3 AH HFI RFD FP	96651278	4000K	1197x297x80mm	90	-20 - 40°C	220-240V
SU PRO LED4000-940 12X3 HFI RFD FP	96651270	4000K	1197x297x80mm	90	-20 - 40°C	220-240V
SU PRO LED4000-940 15X3 AH HFI RFD FP	96651789	4000K	1497x297x80mm	90	-20 - 40°C	220-240V
SU PRO LED4000-940 15X3 HFI RFD FP	96651790	4000K	1497x297x80mm	90	-20 - 40°C	220-240V



### Recessed



### Wiring



Press down the “push button” to insert or remove the cable from front.

Mains supply & DALI wires Stranded wire or solid wire from 0.5 to 2.5 mm<sup>2</sup> may be used for wiring.

Strip 10–11 mm of insulation from the cables to ensure perfect operation of the push terminals. Use one wire for each terminal connector only. Use each strain relief channel for one cable only.