

THORN

LIGHTING



BASE PRO

A comprehensive LED downlight family offering high performance across a wide range of applications

ZUMTOBEL Group Member

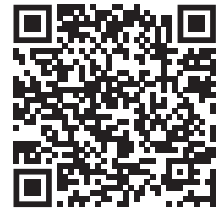


MULTIPLE APPLICATIONS ONE SOLUTION

Downlighting requirements vary enormously
but the Base Pro family responds to all.



**5 YEAR
GUARANTEE**



ONE CONSISTENT LIGHTING DESIGN APPROACH

The consistent design of the Base Pro family can achieve a unified appearance across any project, while benefiting from a variety of lumen outputs, sizes and features. The Base Pro creates a homogenous appearance that helps lift lighting installations to the next level.



BASE PRO

THORN

A comprehensive LED downlight family offering high performance across a wide range of applications



Base Pro is the latest generation of downlights for functional lighting from the Zumtobel Group. Unsurpassed in lighting quality and energy efficiency, the new range has colour rendering greater than 90% and efficacy up to 108lm/W.

Base Pro has a discrete design. It's completely sealed with an ingress protection of 44 and is available in three cut-out sizes: 100mm, 150mm and 200mm. To achieve greater flexibility, the Base Pro family was developed with various lumen outputs ranging from 1000lm to over 3000lm. This ready to install fitting is supplied with a remote DALI driver and is the perfect base for any new or existing office projects and retail applications.

- Extensive range of lumen outputs from 1000lm to 3000lm.
- High colour rendering >90 and MacAdam 3.
- Efficacy up to 108 lm/W.
- Useful life of L80 50,000 hrs @ 25°C.
- Suitable for UGR 19 requirements.
- CCT 4000K (3000K available on request).

MATERIALS/FINISH

Body and front frame: die-cast aluminium body painted white

Reflectors: aluminium reflector with matt finish

Lens: prismatic remote lens

INSTALLATION/MOUNTING

Recessed luminaire supplied complete with driver and flex and plug.

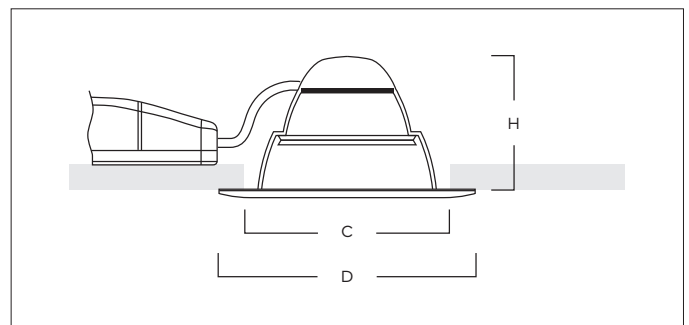


WT (KG) SAP CODE

Base Pro

BASE PRO 100 LED 1000-940 HFI WH FP	0.9	96650612
BASE PRO 100 LED 1500-940 HFI WH FP	0.9	96650614
BASE PRO 150 LED 2000-940 HFI WH FP	1.1	96650616
BASE PRO 150 LED 2500-940 HFI WH FP	1.1	96650618
BASE PRO 200 LED 2000-940 HFI WH FP	1.7	96650620
BASE PRO 200 LED 3000-940 HFI WH FP	1.7	96650622

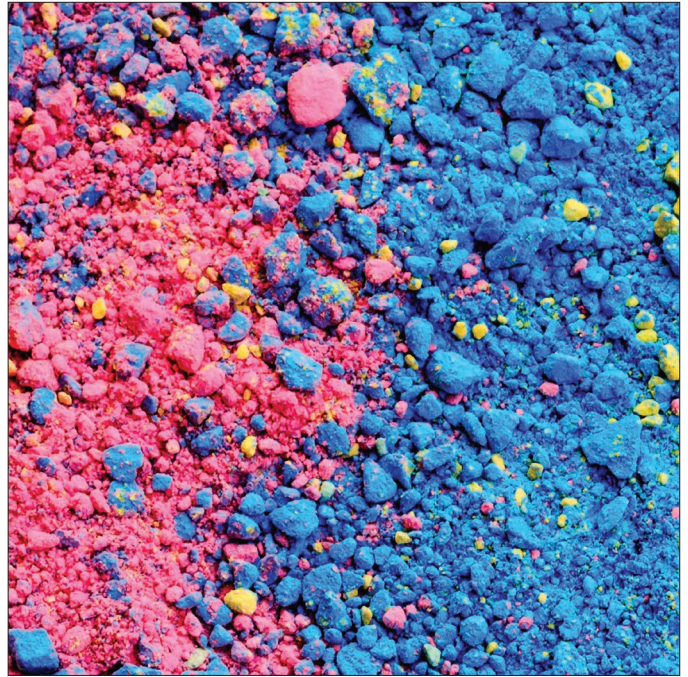
940 = CRI>90 & CTT 4000K, HFI = DALI Tridonic driver, WH = white trim, FP = Flex & Plug



C	D	H
100mm	115mm	60mm
150mm	165mm	80mm
200mm	220mm	100mm



Deep recessed light source with an innovative prismatic lens for a perfect glare control. Suitable for UGR19 applications.



Colour rendering greater than 90% with R9 value greater than 50% and initial 3 steps MacAdam.



Supplied with Tridonic DALI remote driver, flex and plug.
Dimming range 1 to 100 %



Multiple cut-out options 100-150-200mm with a wide trim.
Strong brackets with rubber protection.

Goodlife.

HEALTH CLUBS



WE MAKE LIGHT WORK

ZUMTOBEL Group

NSW - HEADQUARTERS

ZG Lighting Australia Pty Ltd
2/7 Millner Avenue
Horsley Park, NSW 2175
T +61 1300 139 965
F +61 (0) 2 9625 1500
info.au@zumtobelgroup.com

NSW

Showroom & Light Forum
ZG Lighting Australia Pty Ltd
306 Pacific Highway
Crows Nest, NSW 2065

VIC

ZG Lighting Australia Pty Ltd
163 Epsom Road
Flemington, VIC 3031

QLD

ZG Lighting Australia Pty Ltd
Level 1, 349 Coronation Drive
Milton, 4064 QLD

TAS

Watts Lighting
U4/4 Higson Street
Midway Point, TAS 7171

SA

LEDA Lighting Solutions
3 Prescott Court
Hallett Cove, SA 5158

WA

SCOPE LIGHTING Pty Ltd
14 Christable Way
Landsdale, WA 6065

NT

Global Lighting Solutions Pty Ltd
Cnr Mataram Street &
Coonawarra Road
Winnellie, NT 0820

AUCKLAND - HEADQUARTERS

ZG Lighting (NZ) Limited
27 Jomac Place,
Avondale, Auckland 1026
New Zealand
T 0800 800 834
T +64 (9) 828 7155
F +64 (9) 828 7591
info.nz@zumtobelgroup.com

WELLINGTON

ZG Lighting (NZ) Limited
Level 2, 225 Thorndon Quay,
Pipitea, Wellington 6011
New Zealand
T 0800 800 834
T +64 04 815 8010
F +64 04 499 6058

CHRISTCHURCH

ZG Lighting (NZ) Limited
Unit 7A, 303 Blenheim Rd
Upper Riccarton, Christchurch 8041
New Zealand
T 0800 800 834
T +64 03 366 2485
F +64 03 366 8905