

THORN
LIGHTING



GLADIATOR G2

A specialised high impact resistant luminaire for harsh environments

GLADIATOR G2

A robust IP66 luminaire suitable to operate in ambient temperatures of up to 40°C

EASY TO INSTALL & MAINTAIN

Suitable for a wide range of applications for direct surface mounting to walls or ceilings. Gladiator's unique single tool Safe-T Locking System (SLS) allows easy access.

ROBUST

Marine grade die-cast aluminium with less than 1% Copper content (LM6 equivalent) to withstand the harshest environments.



5 YEAR
GUARANTEE

IMPACT RESISTANT

Heavy duty polycarbonate diffuser (able to withstand up to 80 Joules), fits precisely in the channel of the body to ensure limited movement when faced with side impact.



Warehouse



Industrial



Transportion



Outdoor

ROBUST & HEAVY DUTY

ENERGY SAVING SOLUTIONS

Gladiator utilises the latest high efficiency LED light engines with electronic control gear. With DALI, emergency and microwave sensor options, additional energy saving possibilities are made available to suit each unique applications requirements.

DUST AND WATER RESISTANT

Scientifically developed rear gaskets, side and rear (inverted) glands allowing ingress protection to be maintained at IP66 after installation.

VANDAL RESISTANT

With the unique Safe-T Locking System (SLS) making it almost impossible to access the interior of the fitting without the correct tools.



READY FOR COMBAT

Die-cast Body

Gladiator is manufactured from die-cast aluminium with less than 1% copper content (LM6 equivalent). For further protection the body of the Gladiator is finished in an anthracite powder coat (PANTONE Cool Gray 10C).

Polycarbonate Diffuser

The opal polycarbonate diffuser has been designed with a unique curvature and thickness to withstand high impacts of up to 4x IK10 (80 Joules). The diffuser fits precisely in the channel of the body to ensure limited movement when faced with side impact.

Safe-T Locking System (SLS)

The SLS is manufactured from a thermoplastic alloy of polycarbonate and acrylonitrile butadiene styrene (ABS). The combination of these materials ensures the SLS remains unharmed after impacts.

SLS Security Pin (SP)

Gladiator has the option of a security pin in the SLS locking shaft, which can only be opened with a unique key (ordered separately).

Easy to Clean

The body has a 35° slope angle and curved diffuser to shed dust and water. Gladiator meets the recommendations of the HACCP food safety certification program.

Gasket

IP66 is maintained as Gladiator uses a liquid poured gasket which provides outstanding adhesion to the luminaire. The gasket compound has a scientifically calculated density allowing a tight seal between the diffuser and body as well as body and mountable surface.

Flexible Lumen Selection

Gladiator is available with two standard lumen output options in each size, which can easily be changed at the time of installation.

Emergency Lighting (E2)

Equipped with the lithium iron phosphate battery technology for long lifetime and high reliability.



SAFE-T LOCKING SYSTEM

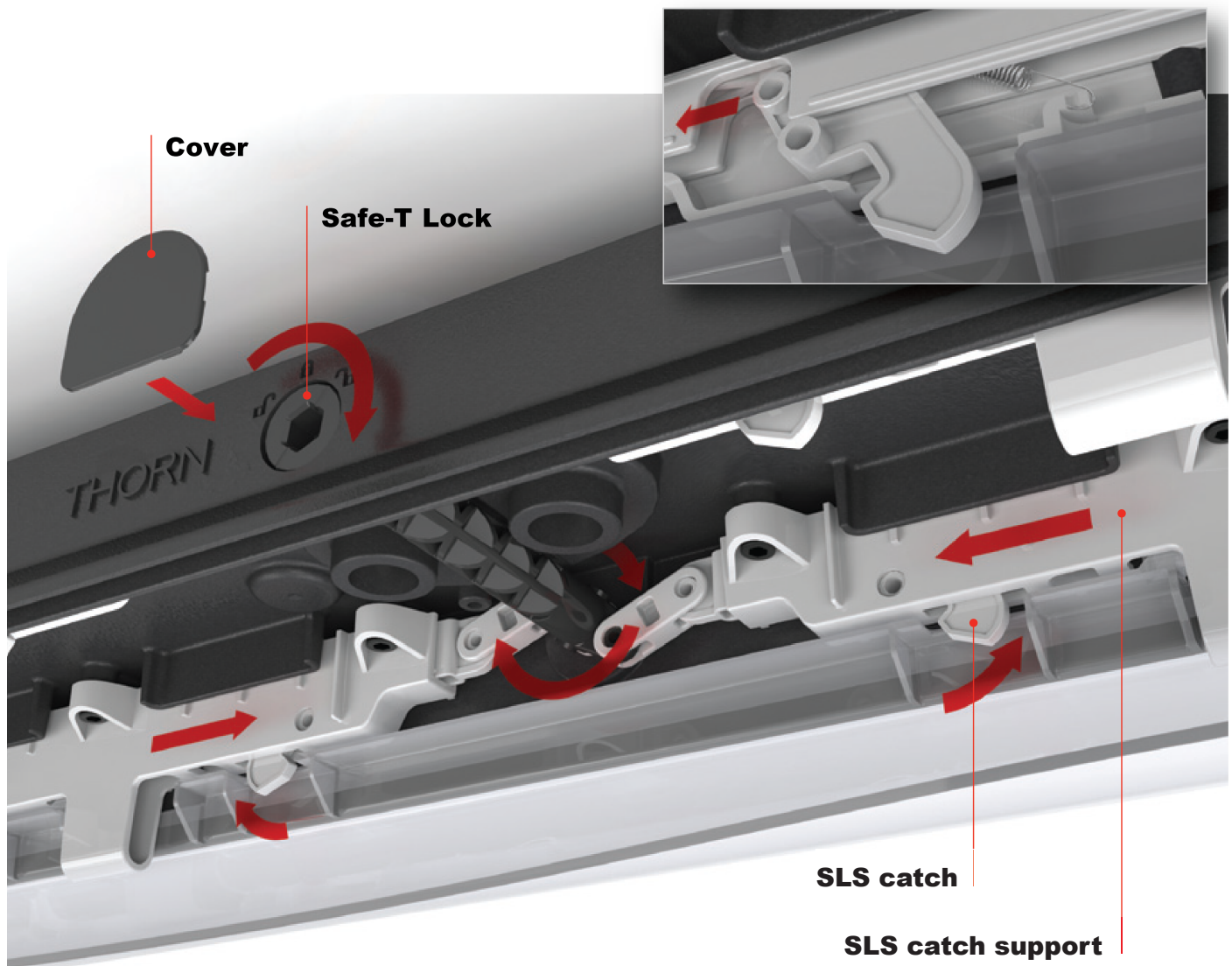
For added security to the Safe-T Locking System (SLS) the Gladiator comes standard with a cover.

A quarter turn of the Safe-T Lock will initiate the mechanical movement in the SLS. The diffuser will be released when the mechanical links rotate and pull inwards onto the miniature spring system located internally to the catch support.

The diffuser hinges on the catch support to allow for simple installation.

Benefits of SLS

- Vandal resistant
- Corrosion resistant (no externally locking clips)
- Easy to maintain
- Ease of luminaire installation
- Ensures IP66
- Improves IK rating



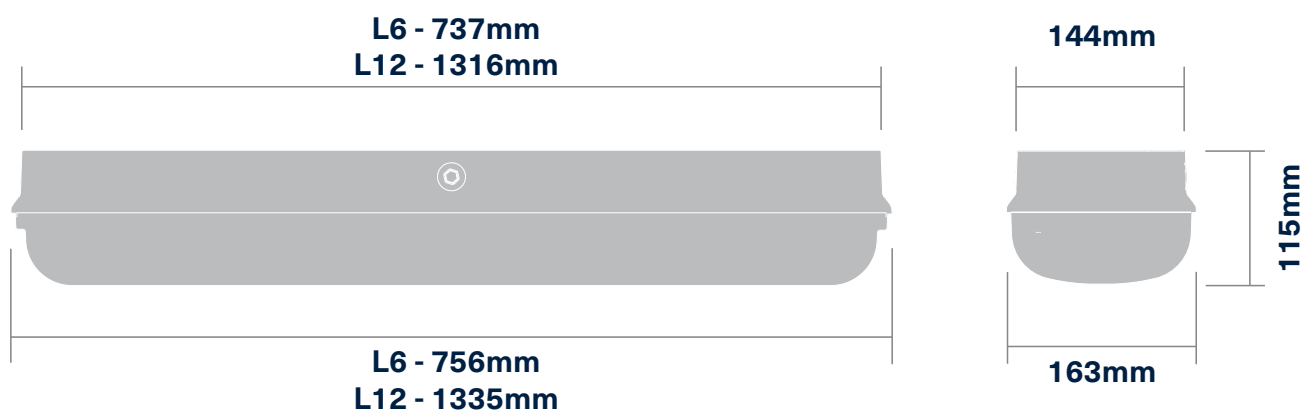
ORDERING GUIDE



Gladiator G2	WT (kg)	Order Number
GLAD G2 LED3000-840 L6 HF	5.2	96651480
GLAD G2 LED6000-840 L12 HF	8.2	96651481
GLAD G2 LED3000-840 L6 HF E2	5.7	96651482
GLAD G2 LED6000-840 L12 HF E2	9	96651751
GLAD G2 LED3000-840 L6 HFI	5.2	96651483
GLAD G2 LED6000-840 L12 HFI	8.2	96651484
GLAD G2 LED3000-840 L6 HFI MWS	5.2	96651485
GLAD G2 LED6000-840 L12 HFI MWS	8.2	96651486

Accessory

GLADIATOR SP SECURITY ALLEN KEY	0.10	96539525
GLADIATOR SPIGOT ADAPTOR	3.45	96541731



THORN

LIGHTING

AUSTRALIA

NSW - Headquarters

ZG Lighting Australia Pty Ltd
2/7 Millner Avenue,
Horsley Park, NSW 2175
Australia
T +61 1300 139 965
info.au@zumtobelgroup.com
zumtobelgroup.com

VIC

ZG Lighting Australia Pty Ltd
163 Epsom Road
Flemington, VIC 3031
Australia
T +61 1300 139 965
info.au@zumtobelgroup.com
zumtobelgroup.com

WA

Scope Lighting Pty Ltd
14 Christable Way
Landsdale, WA 6065
Australia
T +61 1300 139 965
info.au@zumtobelgroup.com
zumtobelgroup.com

TAS

Watts Lighting
U4/4 Higson Street
Midway Point, TAS 7171
Australia
T +61 1300 139 965
info.au@zumtobelgroup.com
zumtobelgroup.com

NSW - Light Centre

ZG Lighting Australia Pty Ltd
306 Pacific Highway
Crows Nest, NSW 2065
Australia
T +61 1300 139 965
info.au@zumtobelgroup.com
zumtobelgroup.com

QLD

ZG Lighting Australia Pty Ltd
Suite 4B, 51 Alfred Street,
Fortitude Valley, QLD 4006
Australia
T +61 1300 139 965
info.au@zumtobelgroup.com
zumtobelgroup.com

SA

LEDA Lighting Solutions
3 Prescott Court
Hallett Cove, SA 5158
Australia
T +61 1300 139 965
info.au@zumtobelgroup.com
zumtobelgroup.com

NT

Global Lighting
Solutions Pty Ltd
Cnr Mataram St &
Coonawarra Rd
Winnellie, NT 0820
Australia
T +61 1300 139 965
info.au@zumtobelgroup.com
zumtobelgroup.com

NEW ZEALAND

AUCKLAND - Headquarters

ZG Lighting (NZ) Limited
27 Jomac Place
Avondale, Auckland 1026
New Zealand
T 0800 800 834
T +64 (9) 828 7155
F +64 (9) 828 7591
info.nz@zumtobelgroup.com
zumtobelgroup.com

WELLINGTON

ZG Lighting (NZ) Limited
Level 2, 225 Thorndon Quay
Pipitea, Wellington 6011
New Zealand
T 0800 800 834
T +64 04 815 8010
F +64 04 499 6058
info.nz@zumtobelgroup.com
zumtobelgroup.com

CHRISTCHURCH

ZG Lighting (NZ) Limited
Unit 7A, 303 Blenheim Rd
Upper Riccarton, Christchurch 8041
New Zealand
Tel: 0800 800 834
Tel: +64 03 366 2485
Fax: +64 03 366 8905
info.nz@zumtobelgroup.com
zumtobelgroup.com

ZUMTOBEL Group

www.thornlighting.com.au