

# Luna

THORN

96294148 <LUNA 12-18W 830/840/857 SEL WH DIM



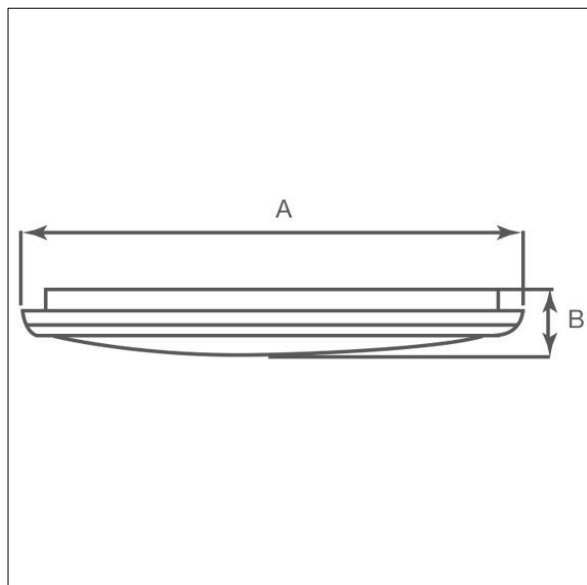
## Luna

An ultra slim, round wall or ceiling LED luminaire.  
Electronic, phase-cut dimmable control gear. Body: white moulded polycarbonate. Diffuser: opal polycarbonate.  
Class II electrical, IP54. Supplied with quick mounting bracket. Complete with CCT switch for 3000K, 4000K or 5700K at time of installation.

Dimensions: Ø300 x 40 mm  
Luminaire input power: 18 W  
Weight: 1 kg



TLZ\_LUNA\_F\_01.jpg



TLZ\_LUNA\_M\_LD1.wmf

All values marked with an \* are rated values. Thorn uses tried and tested components from leading suppliers, however there may be isolated instances of technology-related failures of individual LEDs during the rated product lifetime. International standards set the tolerance in initial flux and connected load at  $\pm 10\%$ . Unless stated otherwise, the values apply to an ambient temperature of 25°C.

Thorn Lighting is constantly developing and improving its products. The right is reserved to change specifications without prior notification or public announcement.  
© Thorn Lighting

**Luna**

**96294148 <LUNA 12-18W 830/840/857 SEL WH DIM**

**THORN**