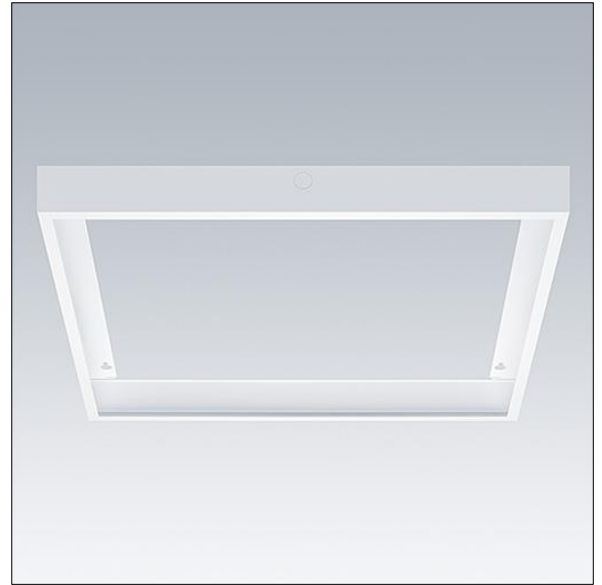


## Accessories

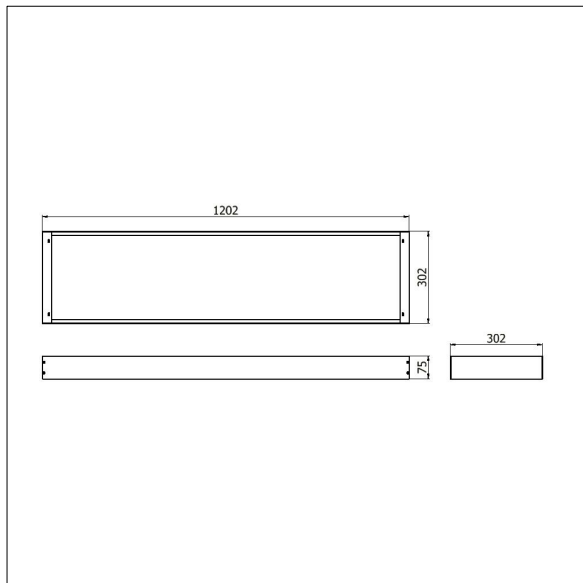
### 96651454 SURFACE MOUNTING KIT 12x3x75 WH

#### Accessories

Supplementary kit to convert the modular recessed Royal LED in to a surface or suspended solution. Powder coated white. The sides & ends in kit form need to be assembled around the Royal LED product. When installed the remote driver needs to rest on the back of the luminaire. In a suspended arrangement and where an elevated viewing position is possible, it may be possible to see the exposed driver. The kit is not supplied with suspension wires, which if required should be ordered separately.



TLG\_BET3\_F\_SKIT.jpg



TLG\_PPF\_M\_MSU12X3.wmf