

Avenue Wall 300 II

96259038 AVENUE W300 II LED 12L35 740 CL2

ISO 9223 C3	IP65	IK09					T _a 25
----------------	------	------	--	--	--	--	-------------------

Avenue Wall 300 II

Avenue Deco wall light. Class II electrical, IP65, with opal polycarbonate bowl. Complete with integral control gear and 14W LED source. Complete with 4000K LED

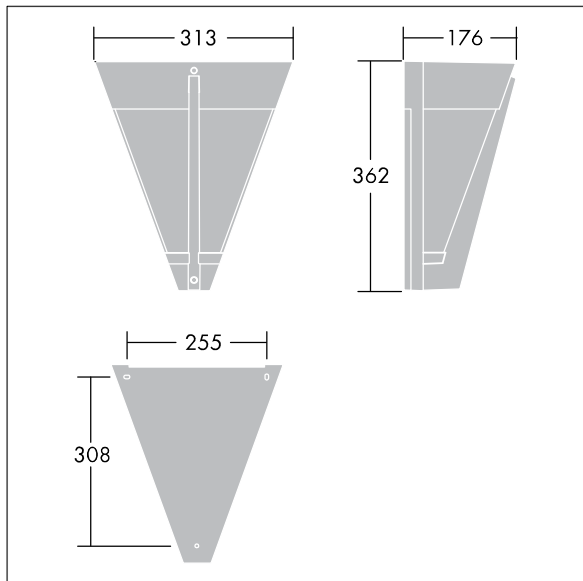
Dimensions: 313 x 176 x 362 mm

Luminaire input power: 15 W

Weight: 3.42 kg



TLG_AVNE_F_W300PDBUNLIT.jpg



TLG_AVED_M_LDW300.wmf

This product contains a light source of energy efficiency class D.