

# Omega Circular

96627778 OMEGA C LED3200-840 HF R500

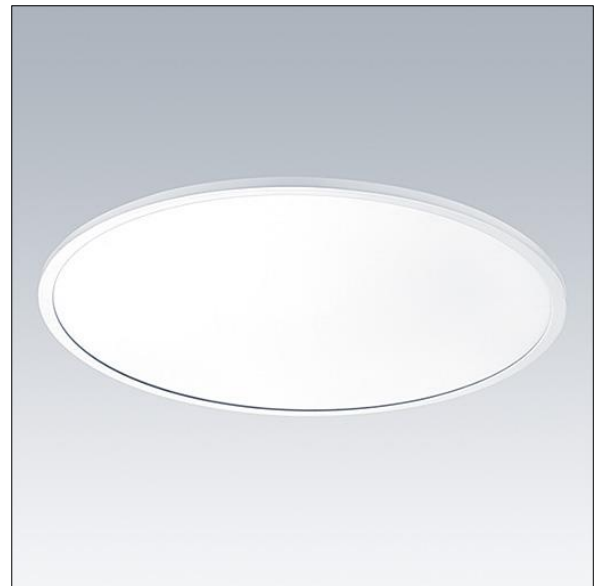
THORN

IP20 IK02       $T_a$  0  
+25

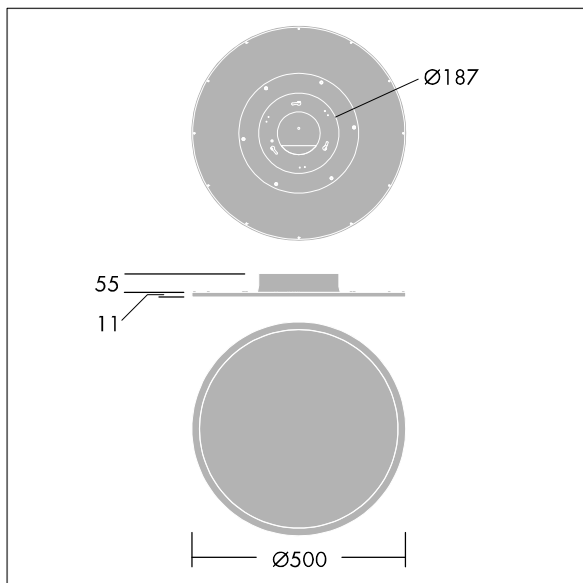
## Omega Circular

A versatile, circular edge lit panel for recessed mounting in a  $\text{Ø}200\text{mm}$  cutout. Electronic, fixed output control gear. Class I electrical, IP20. Body: aluminium and steel,. Diffuser: acrylic opal. Complete with 4000K LED.

Dimensions:  $\text{Ø}500 \times 55 \text{ mm}$   
Luminaire input power: 42 W  
Luminaire luminous flux: 3374 lm  
Luminaire efficacy: 80 lm/W  
Weight: 4.5 kg



TLG\_OMGC\_F\_PDB.jpg



TLG\_OMGC\_M\_3400.wmf

This product contains a light source of energy efficiency class E.

All values marked with an \* are rated values. Thorn uses tried and tested components from leading suppliers, however there may be isolated instances of technology-related failures of individual LEDs during the rated product lifetime. International standards set the tolerance in initial flux and connected load at  $\pm 10\%$ . Unless stated otherwise, the values apply to an ambient temperature of  $25^\circ\text{C}$ .

Thorn Lighting is constantly developing and improving its products. The right is reserved to change specifications without prior notification or public announcement.  
© Thorn Lighting

# Omega Circular

96627778 OMEGA C LED3200-840 HF R500

THORN