

## Areaflood Pro

96644756 AFP S 24L70-740 EWR BS 3550 CL1 GY

ISO 9223 C5	IP66	IK08	⊕	⚠	⚙	⚙	⚙	T <sub>a</sub> -25 +35
----------------	------	------	---	---	---	---	---	---------------------------

### Areaflood Pro

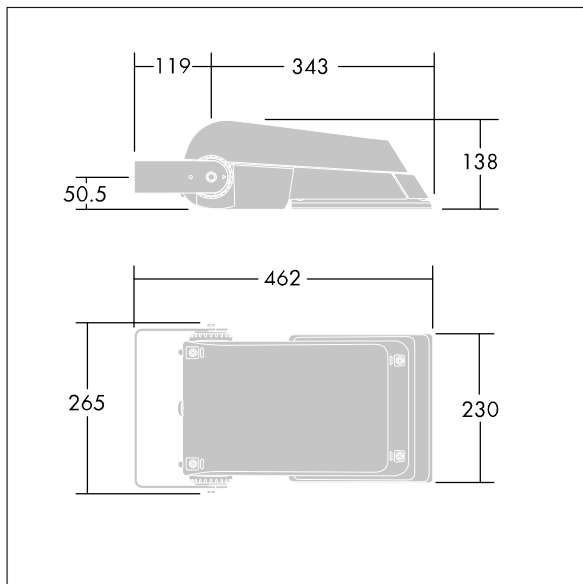
A compact, lightweight, general purpose LED area floodlight. With small body, driving 24 LEDs at 700mA with Extra Wide Road light distribution. IP66, IK08, Class I electrical. Body: die-cast aluminium (EN AC-44300), Light grey 150 sanded textured (close to RAL9006).. Enclosure: 4mm thick toughened glass. Reversible mounting stirrup supplied, Equipped with 50% power reduction circuit, effective 3 hours before and 5 hours after a calculated midnight. It can be deactivated at installation with an easily accessible internal switch. Complete with 4000K LED.

Not compatible with UrbaSens systems.

Dimensions: 462 x 265 x 139 mm  
 Luminaire input power: 52 W  
 Luminaire luminous flux: 7790 lm  
 Luminaire efficacy: 150 lm/W  
 Weight: 6.18 kg  
 Scx: 0.05 m<sup>2</sup>



TLG\_AFLP\_F\_SMALLPDB.jpg



TLG\_AFLP\_M\_SML.wmf

This product contains light sources of energy efficiency class D.

# Areaflood Pro

96644756 AFP S 24L70-740 EWR BS 3550 CL1 GY

THORN