

Areaflood Pro

96644797 AFP S 36L50-740 EWR BS 3550 CL2 GY

| | | | | | | | |
|----------------|------|------|--|--|--|--|---------------------------|
| ISO 9223 C5 | IP66 | IK08 | | | | | T _a -25 +35 |
|----------------|------|------|--|--|--|--|---------------------------|

Areaflood Pro

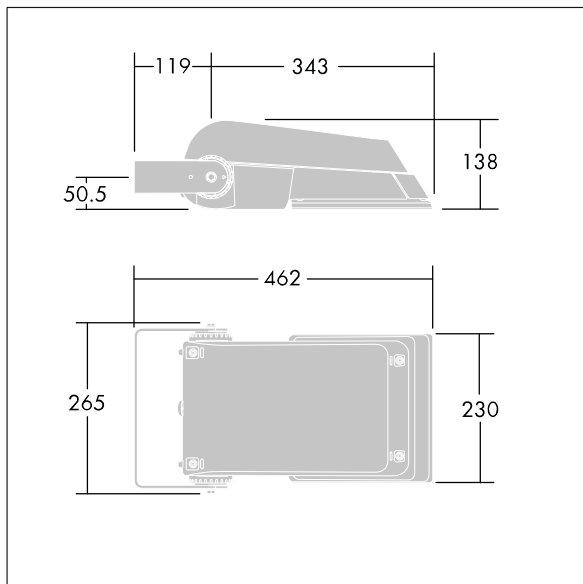
A compact, lightweight, general purpose LED area floodlight. With small body, driving 36 LEDs at 500mA with Extra Wide Road light distribution. IP66, IK08, Class II electrical. Body: die-cast aluminium (EN AC-44300), Light grey 150 sanded textured (close to RAL9006).. Enclosure: 4mm thick toughened glass. Reversible mounting stirrup supplied, Equipped with 50% power reduction circuit, effective 3 hours before and 5 hours after a calculated midnight. It can be deactivated at installation with an easily accessible internal switch. Complete with 4000K LED.

Not compatible with UrbaSens systems.

Dimensions: 462 x 265 x 139 mm
 Luminaire input power: 55 W
 Luminaire luminous flux: 8651 lm
 Luminaire efficacy: 157 lm/W
 Weight: 6.24 kg
 Scx: 0.05 m²



TLG_AFLP_F_SMALLPDB.jpg



TLG_AFLP_M_SML.wmf

This product contains light sources of energy efficiency class E.