

## Areaflood Pro

96644814 AFP S 36L50-740 WR HFX CL2 GY

ISO 9223 C5	IP66	IK08						T <sub>a</sub> -25 +35
----------------	------	------	--	--	--	--	--	---------------------------

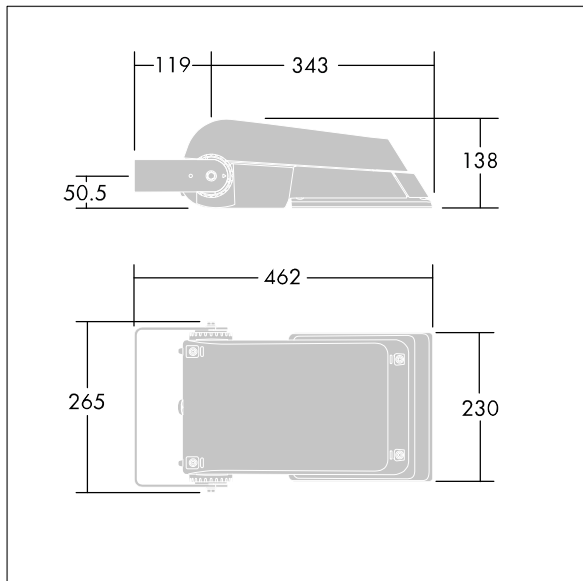
### Areaflood Pro

A compact, lightweight, general purpose LED area floodlight. With small body, driving 36 LEDs at 500mA with Wide Road light distribution. IP66, IK08, Class II electrical. Body: die-cast aluminium (EN AC-44300), Light grey 150 sanded textured (close to RAL9006).. Enclosure: 4mm thick toughened glass. Reversible mounting stirrup supplied, Complete with 4000K LED.

Dimensions: 462 x 265 x 139 mm  
 Luminaire input power: 55 W  
 Luminaire luminous flux: 8698 lm  
 Luminaire efficacy: 158 lm/W  
 Weight: 6.23 kg  
 Scx: 0.05 m<sup>2</sup>



TLG\_AFLP\_F\_SMALLPDB.jpg



TLG\_AFLP\_M\_SML.wmf

This product contains light sources of energy efficiency class E.

# Areaflood Pro

96644814 AFP S 36L50-740 WR HFX CL2 GY

THORN