

LED Fit

96628332 LEDFIT S 45W A/S CL1 L840

ISO 9223	IP66	IK07				
C3						

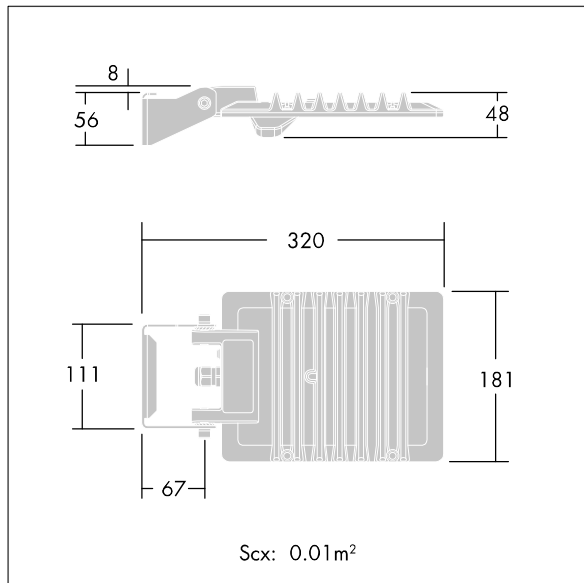
LED Fit

A simple, ultra lightweight, small LED area floodlight with true asymmetric optic. Integral fixed output control gear. Class I electrical, IP66, Impact strength: IK07. Body: die-cast aluminium Light grey 150 sanded textured (close to RAL9006). Stirrup: aluminium. Visor: polycarbonate with external surface powder coated Light grey 150 sanded textured (close to RAL9006). Pre-wired with 0.6m cable. Stirrup can be fixed by one M10 and/or two M8 fixation points, it is reversible allowing different mounting positions. Complete with 4000K LED. Ta max 25°C.

Dimensions: 181 x 236 x 48 mm
 Luminaire input power: 45 W
 Luminaire luminous flux: 4500 lm
 Luminaire efficacy: 100 lm/W
 Weight: 1.7 kg



TLG_LEDF_F_SPDB.jpg



TLG_LEDF_M_45W.wmf

All values marked with an * are rated values. Thorn uses tried and tested components from leading suppliers, however there may be isolated instances of technology-related failures of individual LEDs during the rated product lifetime. International standards set the tolerance in initial flux and connected load at ±10%. Unless stated otherwise, the values apply to an ambient temperature of 25°C.