

## Urba Bollard

96275590 URBA BOLLARD 4L105 740 CL2

|                |      |  |  |  |  |       |  |
|----------------|------|--|--|--|--|-------|--|
| ISO 9223<br>C3 | IP65 |  |  |  |  | 650°C |  |
|----------------|------|--|--|--|--|-------|--|

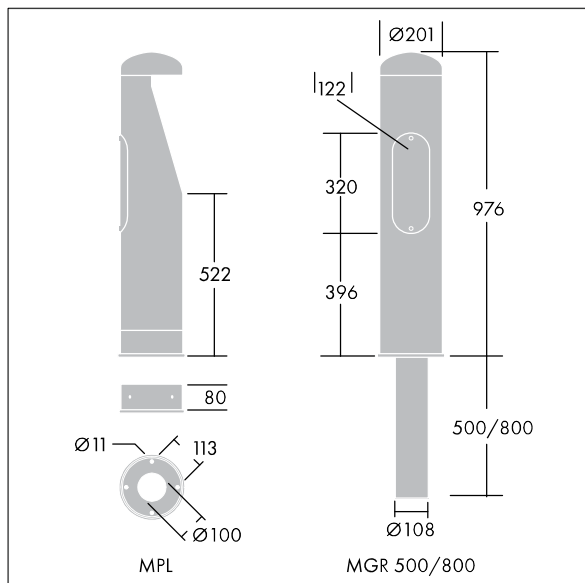
### Urba Bollard

A decorative LED bollard. Electronic, fixed output control gear. Class II electrical, IP65, IK10. Body and bezel: low carbon steel, electro-plated zinc, finished black (RAL 9005). Diffuser: clear 5mm polycarbonate plate. Flange or root mounted using bases to be ordered separately. Complete with 4000K LED.

Dimensions: Ø200 x 970 mm  
 Luminaire input power: 15 W  
 Luminaire luminous flux: 1107 lm  
 Luminaire efficacy: 74 lm/W  
 Weight: 12.8 kg



TLG\_TE11\_F\_PDB.jpg



TLG\_TE11\_M\_LD1.wmf

This product contains a light source of energy efficiency class D.

All values marked with an \* are rated values. Thorn uses tried and tested components from leading suppliers, however there may be isolated instances of technology-related failures of individual LEDs during the rated product lifetime. International standards set the tolerance in initial flux and connected load at ±10%. Unless stated otherwise, the values apply to an ambient temperature of 25°C.

# Urba Bollard

96275590 URBA BOLLARD 4L105 740 CL2

THORN