

# Stradalux

# THORN

96647039 STRADALUX LED 2400 25W HF EL2 L840

AS/NZS 60598	IP54			T <sub>a</sub> 40
-----------------	------	---	---	-------------------

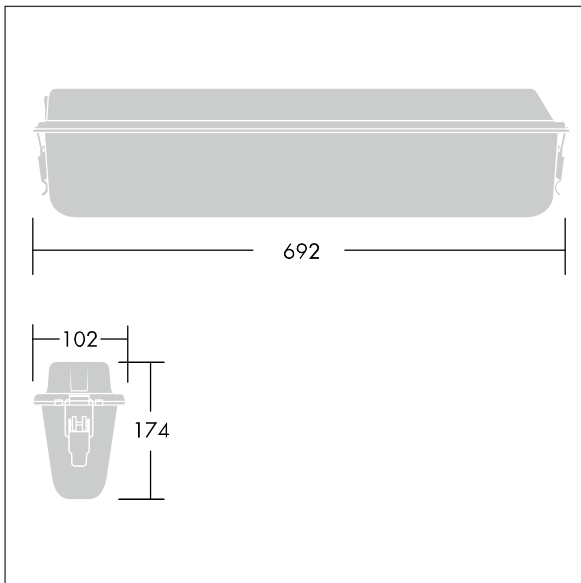
## Stradalux

A robust weatherproof LED luminaire. Electronic, fixed output control gear with 2 hour, manual test, emergency lighting circuit. Body: die-cast aluminium. Visor: high impact resistant clear acrylic. Gasket: PVC foam. Class 1 electrical IP54. Complete with 4000K LED

Dimensions: 692 x 174 x 102 mm  
Luminaire input power: 18.7 W  
Weight: 0 kg



TLA\_STRA\_F\_LEDPDB.jpg



TLG\_STRA\_M\_LD1.wmf

This product contains a light source of energy efficiency class C.

All values marked with an \* are rated values. Thorn uses tried and tested components from leading suppliers, however there may be isolated instances of technology-related failures of individual LEDs during the rated product lifetime. International standards set the tolerance in initial flux and connected load at  $\pm 10\%$ . Unless stated otherwise, the values apply to an ambient temperature of 25°C.

Thorn Lighting is constantly developing and improving its products. The right is reserved to change specifications without prior notification or public announcement.  
© Thorn Lighting