

EP 445

96631749 EP445 24L70-827 ND-A BPS CL2 W5M MTP



IP66

IK08



EP 445

A 19th Century style lantern with 24 LEDs with switchable drive current and Narrow Road optic. Post top mounting. Equipped with power reduction circuit, profile selected by rotary switch. Class II electrical, IP66, IK08. Body: die-cast aluminium, painted black (close to RAL9005) textured. Enclosure: 4mm thick extra clear glass. Pre-wired with 5m cable. Complete with 2700K LED

Dimensions: 436 x 436 x 695 mm

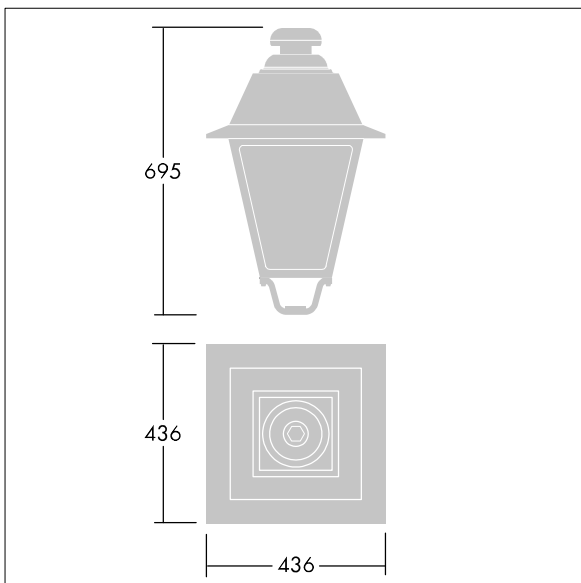
Luminaire input power: 53 W

Weight: 9.7 kg

Scx: 0.19 m²



TLG_EP44_F_MTP.jpg



TLG_EP44_M_MTP.wmf

This product contains a light source of energy efficiency class E.