

# Aerie

# THORN

96632310 ARS 24L35-740 WSC CL CL1 W5 T76 ANT



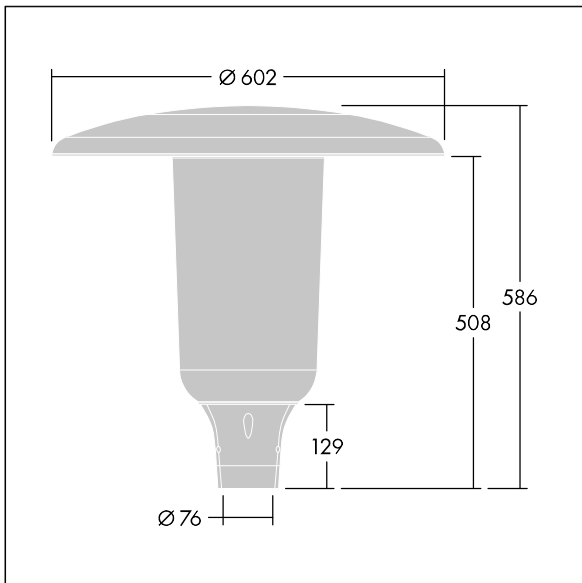
## Aerie

A discreet, post top LED lantern with a timeless design. LED driver for 24 LEDs, driven at 350mA with Wide Street Comfort (asymmetrical) distribution. Class I electrical, IP66, IK10. Canopy and base: corrosion resistant die-cast powder coated aluminium suitable for C5 environments, finished textured anthracite (close to RAL7043). Enclosure: slim UV stabilised polycarbonate with clear finish. Complete with 4000K LED. Post top mounting to  $\varnothing 76$ mm column. Pre-wired with 5m cable.

Dimensions:  $\varnothing 602$  x 586 mm  
Luminaire input power: 26 W  
Luminaire luminous flux: 4077 lm  
Luminaire efficacy: 157 lm/W  
Weight: 11.21 kg  
Scx: 0.172 m<sup>2</sup>



TLG\_AERI\_F\_S\_CL.jpg



TLG\_AERI\_M\_T76\_S.wmf

This product contains a light source of energy efficiency class D.

All values marked with an \* are rated values. Thorn uses tried and tested components from leading suppliers, however there may be isolated instances of technology-related failures of individual LEDs during the rated product lifetime. International standards set the tolerance in initial flux and connected load at  $\pm 10\%$ . Unless stated otherwise, the values apply to an ambient temperature of 25°C.

Thorn Lighting is constantly developing and improving its products. The right is reserved to change specifications without prior notification or public announcement.  
© Thorn Lighting

**Aerie**

**96632310 ARS 24L35-740 WSC CL CL1 W5 T76 ANT**

**THORN**