

96668699 PLI R 24L70-740 R/S BS 3550 T60 CL2 ANT

ISO 9223 C5		IP66	IK08					T <sub>a</sub> 25
----------------	--	------	------	--	--	--	--	-------------------

## Plurio

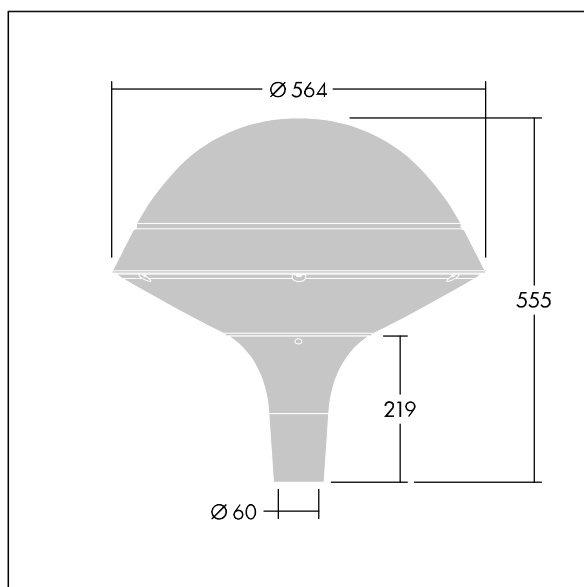
Plurio Indirect: A decorative post-top LED lantern with radially symmetric distribution. LED driver with 24 LEDs driven at 700mA. Class II electrical, IP66, IK08. Base: cast aluminium, powder coated anthracite (close to RAL7043). Canopy: round shape, aluminium, textured anthracite (close to RAL7043). Diffuser: UV stabilised, clear polycarbonate with anti-glare prisms. Indirect, reflector based optic. Equipped with 50% power reduction circuit, effective 3 hours before and 5 hours after a calculated midnight. It can be deactivated at installation with an easily accessible internal switch. Complete with 4000K LED. Post top mounting to Ø60mm column.

Upward lighting emissions below 1%.

Dimensions: Ø564 x 555 mm  
 Luminaire input power: 51 W  
 Luminaire luminous flux: 5907 lm  
 Luminaire efficacy: 116 lm/W  
 Weight: 9.5 kg  
 Scx: 0.191 m<sup>2</sup>



TLG\_PLRL\_F\_IRC\_ANT.jpg



TLG\_PLRL\_M\_IRC\_T60.wmf

This product contains a light source of energy efficiency class D.