

Olsys Street

96633537 OLSYS1 12L70 730 CL2 BP5 STR

THORN

| | | | | | | | | |
|----------------|------|------|--|--|--|--|-------------------|--|
| ISO 9223 C3 | IP66 | IK08 | | | | | T _a 50 | |
|----------------|------|------|--|--|--|--|-------------------|--|

Olsys Street

An LED lantern with street distribution for urban street lighting applications. Electronic, bi-power control gear. Class II electrical, IP66, IK08. Body: die-cast aluminium (AS9U), powder coated silver-grey (RAL 9006). Enclosure: clear polycarbonate. Optics: polycarbonate. Supplied in one box, ready to install. Mounting attachments to be ordered separately. Equipped with 50% power reduction circuit, effective 2 hours before and 3 hours after a calculated midnight. It can be deactivated at installation with an easily accessible internal switch. Complete with 3000K LED

ambient temperature: -30°C to +50°C

Dimensions: 420 x 225 x 60 mm

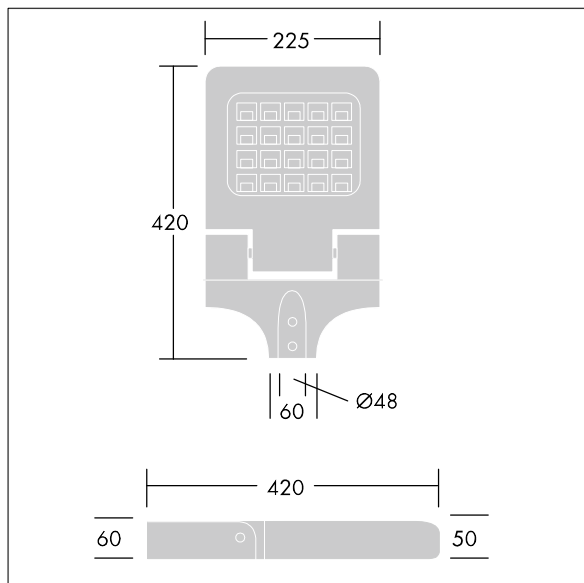
Luminaire input power: 28 W

Weight: 2.9 kg

Scx: 0.07 m²



TLG_OSYS_F_1MPTPDB.jpg



TLG_OSYS_M_STR1.wmf

This product contains a light source of energy efficiency class D.

All values marked with an * are rated values. Thorn uses tried and tested components from leading suppliers, however there may be isolated instances of technology-related failures of individual LEDs during the rated product lifetime. International standards set the tolerance in initial flux and connected load at $\pm 10\%$. Unless stated otherwise, the values apply to an ambient temperature of 25°C.

Thorn Lighting is constantly developing and improving its products. The right is reserved to change specifications without prior notification or public announcement.
© Thorn Lighting