

# Olsys Street

96633538 OLSYS1 12L70 730 CL1 BP5 STR

THORN

ISO 9223 C3	IP66	IK08					T <sub>a</sub> 50
----------------	------	------	--	--	--	--	-------------------

## Olsys Street

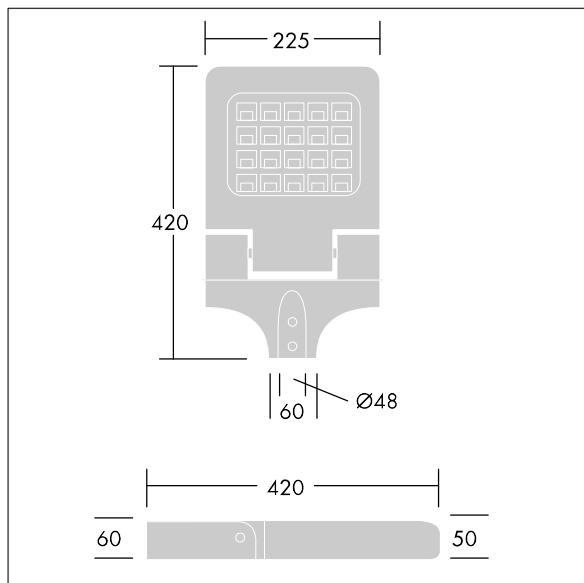
An LED lantern with street distribution for urban street lighting applications. Electronic, bi-power control gear. Class I electrical, IP66, IK08. Body: die-cast aluminium (AS9U), powder coated silver-grey (RAL 9006). Enclosure: clear polycarbonate. Optics: polycarbonate. Supplied in one box, ready to install. Mounting attachments to be ordered separately. Equipped with 50% power reduction circuit, effective 2 hours before and 3 hours after a calculated midnight. It can be deactivated at installation with an easily accessible internal switch. Complete with 3000K LED

ambient temperature: -30°C to +50°C

Dimensions: 420 x 225 x 60 mm  
Luminaire input power: 28 W  
Weight: 2.9 kg  
Scx: 0.07 m<sup>2</sup>



TLG\_OSYS\_F\_1MPTPDB.jpg



TLG\_OSYS\_M\_STR1.wmf

This product contains a light source of energy efficiency class D.

All values marked with an \* are rated values. Thorn uses tried and tested components from leading suppliers, however there may be isolated instances of technology-related failures of individual LEDs during the rated product lifetime. International standards set the tolerance in initial flux and connected load at  $\pm 10\%$ . Unless stated otherwise, the values apply to an ambient temperature of 25°C.

Thorn Lighting is constantly developing and improving its products. The right is reserved to change specifications without prior notification or public announcement.  
© Thorn Lighting