

## Base Pro

96650614 BASE PRO 100 LED 1500-940 HFI WH FP

RoHS	↓ IP20 ↑ IP44	IK08			850 °C	T <sub>a</sub> -20 +40
------	------------------	------	--	--	--------	---------------------------

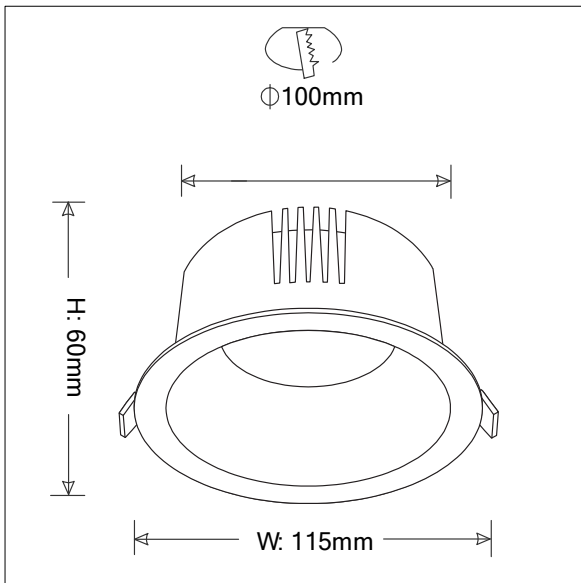
### Base Pro

A high performing, low height, recessed LED downlight. DALI dimmable LED driver. Body: die-cast aluminium, powder coated white. Reflector: matt aluminium. Diffuser: opal polycarbonate. Class II electrical, IP44\_IP20, Impact strength: IK08. Spring clips suitable for quick installation. Cut-out: Ø100mm. Complete with 4000K LED. Fitted with flex and plug.. Note: UGR<19 for office applications compliant with CIE testing method.

Dimensions: Ø115 x 60 mm  
 Luminaire input power: 14.5 W  
 Luminaire luminous flux: 1160 lm  
 Luminaire efficacy: 80 lm/W  
 Weight: 0.7 kg



TLG\_BASP\_F\_100.jpg



TLG\_BASP\_M\_100.wmf

All values marked with an \* are rated values. Thorn uses tried and tested components from leading suppliers, however there may be isolated instances of technology-related failures of individual LEDs during the rated product lifetime. International standards set the tolerance in initial flux and connected load at ±10%. Unless stated otherwise, the values apply to an ambient temperature of 25°C.

Thorn Lighting is constantly developing and improving its products. The right is reserved to change specifications without prior notification or public announcement.  
 © Thorn Lighting

## Base Pro

96650614 BASE PRO 100 LED 1500-940 HFI WH FP

THORN