

Novaline Style

96635318 NOVS L 5000-840 DI HFI WH

IEC EN 60598-1 RG 1	RoHS	UK CA	IP54		halogen	IK08					850°C	T _a -15 +25
---------------------------	------	----------	------	--	---------	------	--	--	--	--	-------	---------------------------

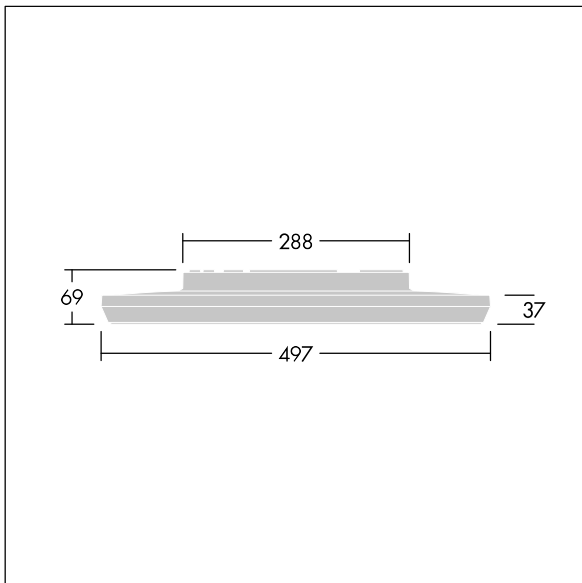
Novaline Style

Decorative circular luminaire with large body. Low indirect component for wall and ceiling illumination. Electronic, DALI dimmable. Aesthetic trim of the luminaire made of polycarbonate in white. Diffuser: opal polycarbonate. Class II electrical, IP54. Complete with 4000K LED.

Dimensions: Ø497 x 69 mm
 Luminaire input power: 35.2 W
 Luminaire luminous flux: 5000 lm
 Luminaire efficacy: 142 lm/W
 Weight: 2.87 kg



TLG_NOVS_F_5WH.jpg



TLG_NOVS_M_LD500.wmf

This product contains a light source of energy efficiency class C.

All values marked with an * are rated values. Thorn uses tried and tested components from leading suppliers, however there may be isolated instances of technology-related failures of individual LEDs during the rated product lifetime. International standards set the tolerance in initial flux and connected load at ±10%. Unless stated otherwise, the values apply to an ambient temperature of 25°C.

Novaline Style

96635318 NOVS L 5000-840 DI HFI WH

THORN