

## Novaline Style

96635532 NOVS L 4000-840 DI HFI SR

IEC EN 60598-1 RG 1	RoHS	UK CA	IP54	D	halogen	IK08					850°C	T <sub>a</sub> -15 +25
---------------------------	------	----------	------	---	---------	------	--	--	--	--	-------	---------------------------

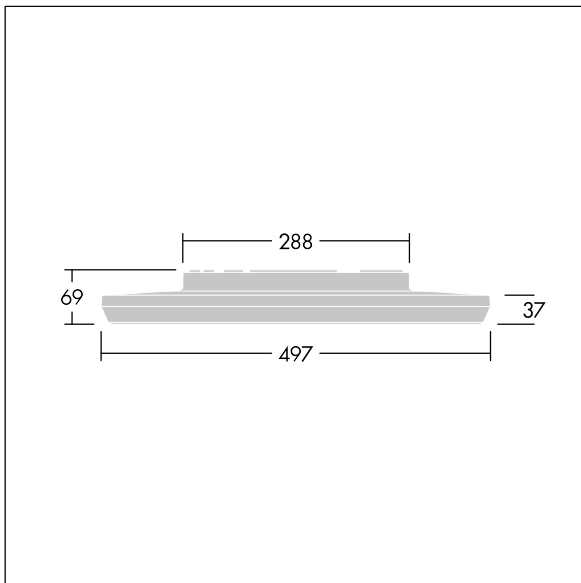
### Novaline Style

Decorative circular luminaire with large body. Low indirect component for wall and ceiling illumination. Electronic, DALI dimmable. Aesthetic trim of the luminaire made of polycarbonate in. Diffuser: opal polycarbonate. Class II electrical, IP54. Complete with 4000K LED.

Dimensions: Ø497 x 69 mm  
 Luminaire input power: 28.2 W  
 Luminaire luminous flux: 4000 lm  
 Luminaire efficacy: 142 lm/W  
 Weight: 2.89 kg



TLG\_NOVS\_F\_5SR.jpg



TLG\_NOVS\_M\_LD500.wmf

This product contains a light source of energy efficiency class C.

All values marked with an \* are rated values. Thorn uses tried and tested components from leading suppliers, however there may be isolated instances of technology-related failures of individual LEDs during the rated product lifetime. International standards set the tolerance in initial flux and connected load at ±10%. Unless stated otherwise, the values apply to an ambient temperature of 25°C.

# Novaline Style

96635532 NOVS L 4000-840 DI HFI SR

THORN