

## 96651817 LUCEM S LED1100-940 HF BK

ISO 9223 C4	IP65	IK06		
----------------	------	------	-----------------------------------------------------------------------------------	-----------------------------------------------------------------------------------

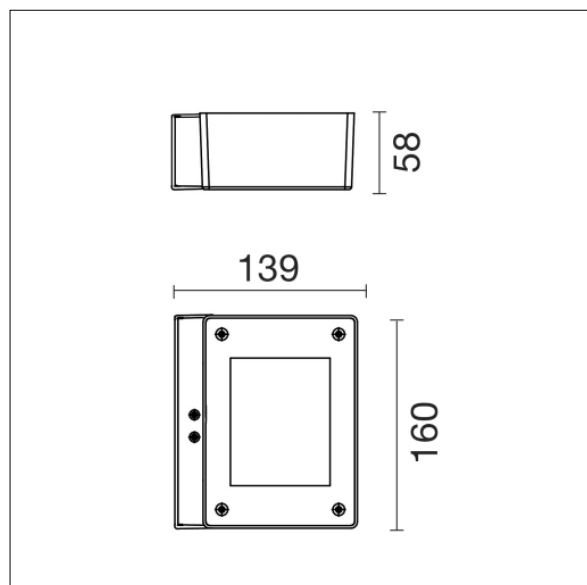
### Lucem

An architectural LED wall mounted luminaire with asymmetric light distribution, particularly suitable for indirect lighting applications. Electronic, fixed output control gear. Class I electrical, IP65, IK06. Body: die-cast aluminium (EN AB-47100), powder coated textured black (close to RAL9005). Supplied in one box, ready to install. Complete with 4000K LED.

Dimensions: 160 x 139 x 58 mm  
 Luminaire input power: 12.4 W  
 Luminaire luminous flux: 1145 lm  
 Luminaire efficacy: 92 lm/W  
 Weight: 2 kg



TLG\_LUCEM\_F\_S.jpg



TLG\_LUCEM\_M\_S.wmf

All values marked with an \* are rated values. Thorn uses tried and tested components from leading suppliers, however there may be isolated instances of technology-related failures of individual LEDs during the rated product lifetime. International standards set the tolerance in initial flux and connected load at  $\pm 10\%$ . Unless stated otherwise, the values apply to an ambient temperature of 25°C.

Thorn Lighting is constantly developing and improving its products. The right is reserved to change specifications without prior notification or public announcement.  
 © Thorn Lighting

**Lucem**

**96651817 LUCEM S LED1100-940 HF BK**

**THORN**