

Urba Deco

THORN

96670239 UD 24L50 730 EWC CL2 HFX WS5 MSU-T BK U0

ISO 9223 C3	ida DALI SKY APPROVED	IP66	IK09				T _a 35	
----------------	--------------------------	------	------	--	--	--	-------------------	--

Urba Deco

A smart, sophisticated architectural urban lantern with 24 LEDs driven at 500mA and a optic with no upward light. Electronic, fixed output control gear. Class II electrical, IP66, Impact strength: IK09. Canopy and base: die-cast aluminium (AS9U3, LM24 equivalent, EN AC-46000) textured black (close to RAL9005). Enclosure: 6mm thick clear glass. Suspended through 34G, luminaire perpendicular to the road. Complete with 3000K LED.

Surge protection: 10kV single pulse common mode and 8kV multipulse common mode and 6kV multipulse differential mode. If permanent DALI system is connected, 6kV multipulse common and differential mode.

Dimensions: 510 x 241 x 146 mm

Luminaire input power: 36.1 W

Luminaire luminous flux: 5382 lm

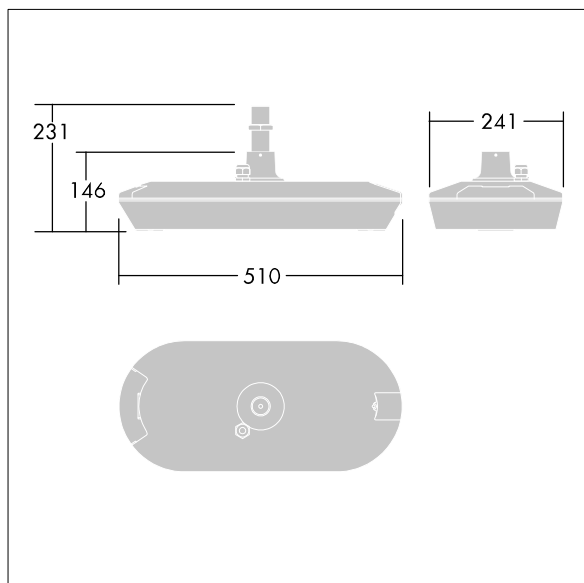
Luminaire efficacy: 149 lm/W

Weight: 7.07 kg

Scx: 0.031 m²



TLG_URBD_F_MSUPDB.jpg



TLG_URBD_M_MUS.wmf

This product contains a light source of energy efficiency class D.

All values marked with an * are rated values. Thorn uses tried and tested components from leading suppliers, however there may be isolated instances of technology-related failures of individual LEDs during the rated product lifetime. International standards set the tolerance in initial flux and connected load at $\pm 10\%$. Unless stated otherwise, the values apply to an ambient temperature of 25°C.

Thorn Lighting is constantly developing and improving its products. The right is reserved to change specifications without prior notification or public announcement.
© Thorn Lighting