

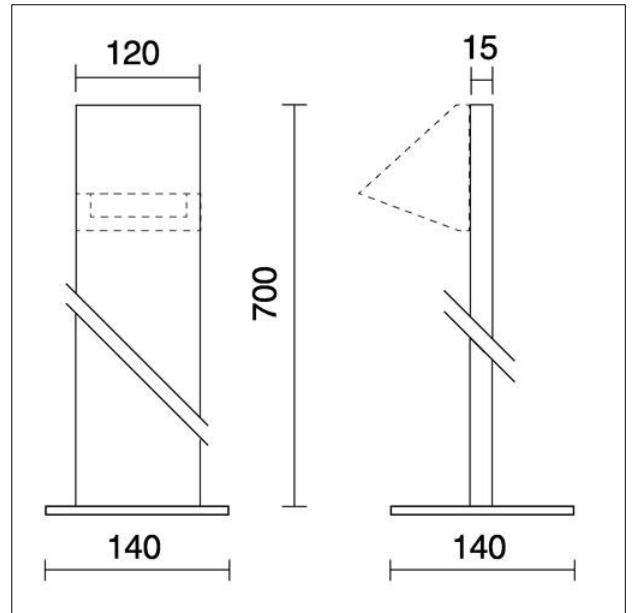
## Installation accessory

Bollard mounting accessory for Acuto LED luminaires. Flange mounted. Body: die-cast aluminium (EN AB-47100), powder coated textured black (close to RAL 9005).

Weight: 1.5 kg



TLG\_ACUTO\_F\_BOL\_MPL.jpg



TLG\_ACUTO\_M\_BOL\_MPL.wmf

## Light Distribution