

# Recuvo C

96652924 RECUVO C 3000-940 HFI MPT 6X3 FP5 IP65

T <sub>a</sub> -20 +40	IP65	IK08			
---------------------------	------	------	--	--	--

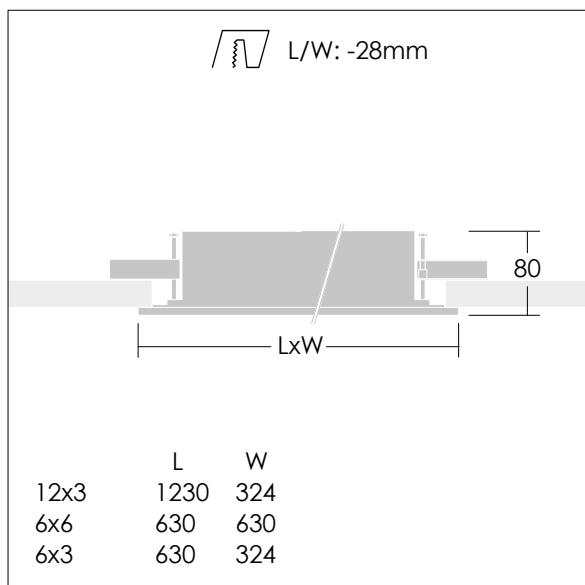
## Recuvo C

Normal purity ceiling recessed LED luminaire. Bottom access. Electronic, DALI dimmable control gear. Class I electrical. IP65 from all sides. Impact strength: IK08. Body: welded steel, white painted. Cover: PC for chemical resistance in clean rooms. Slot-in frame design. Operating ambient temperature: -20°C to +40°C. Glare controlled by a micro-prismatic optic, UGR<19. Compliant with Cyanosis observation lighting requirements COI<3.3. Colour Rendering Index min.: 90. Suitable for use in clean rooms. Complete with 4000K LED and 5-core Flex&Plug. A suction cup is needed to access the luminaire and has to be ordered separately (art. 20935455).

Dimensions: 630 x 324 x 80 mm, cutout: 602x296mm  
 Luminaire input power: 30.1 W  
 Luminaire luminous flux: 3119 lm  
 Luminaire efficacy: 104 lm/W  
 Weight: 5.6 kg



TLG\_RECUVOC\_F\_6x3.jpg



TLG\_RECUVOC\_M.wmf

All values marked with an \* are rated values. Thorn uses tried and tested components from leading suppliers, however there may be isolated instances of technology-related failures of individual LEDs during the rated product lifetime. International standards set the tolerance in initial flux and connected load at ±10%. Unless stated otherwise, the values apply to an ambient temperature of 25°C.